

EBRO electric actuator, 40/100 Nm.

VM 9259



VM 9260

General

- Ebro electric actuator with a robust, completely ball beared worm gear.
- Safe arresting by self-inhibition.
- Changeable clutch nuts for mounting on different shaft ends.
- Mechanical position indicator disc for an optical control of the valve's position.
- Motor with thermic winding protection switch.
- Hand wheel enables immediate hand emergency.
- Maintenance-free, long life service by continuous lubrication.

Options

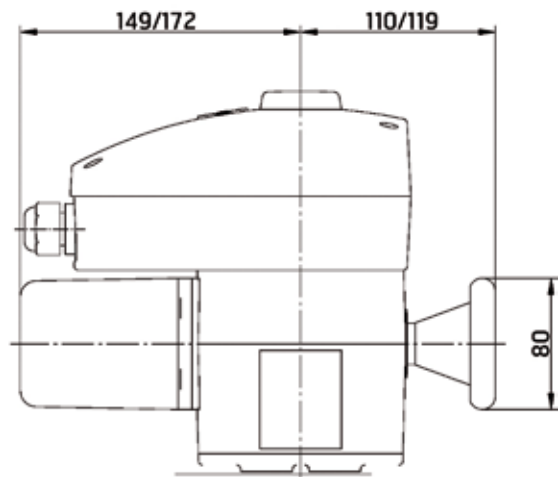
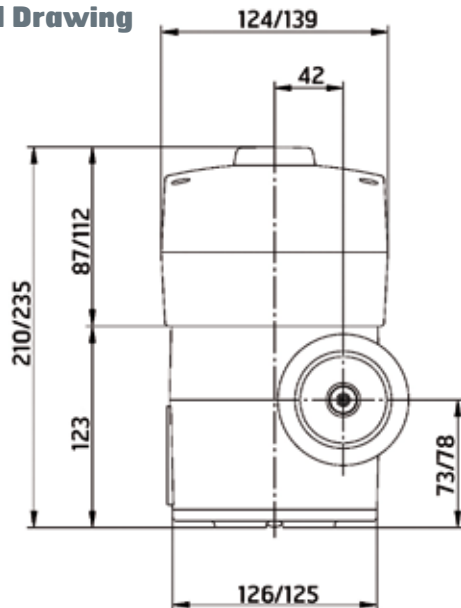
- Additional limit switches.
- potentiometer
- Current feedback.
- Torque control.
- Timer.
- Single phase P.C.B.
- Three phase P.C.B.
- Direct-current P.C.B.

Technical Data and Weight (kg)

| | VM 925923025 | VM 92602306 | VM 92604006 | VM 926024DC6 |
|----------------------------|---------------|---------------|---------------|---------------|
| Rated torque Nm | 40 | 100 | 100 | 100 |
| Operating time 0-90° (sek) | 25 | 6 | 6 | 6 |
| Rated voltage | 230VAC | 230VAC | 40VAC | 24VDC |
| Rated current A | 0,15 | 0,7 | 0,3 | 5,5 |
| Starting current A | 0,18 | 1,0 | 0,6 | 8,0 |
| Power consumption W | 35 | 160 | 90 | 77 |
| ON-time | 30%ED | 30%ED | 30%ED | 30%ED |
| Protection class | IP 67 | IP 67 | IP 67 | IP 67 |
| Operation temperature | -20°C - +70°C | -20°C - +70°C | -20°C - +70°C | -20°C - +70°C |
| Cable connection | 2 x M20x1,5 | 2 x M20x1,5 | 2 x M20x1,5 | 2 x M20x1,5 |
| Corrosion protection | C4 | C4 | C4 | C4 |
| Limit switch | 250VAC/3A | 250VAC/3A | 250VAC/3A | 24VAC/10A |
| Weight (kg) | 5 | 7 | 7 | 7 |

In the interest of technical progress, design and dimensions may be subject to change | VM 9259-9260 | 2011-07-14

Dimensional Drawing



Integrated mounting flange acc. to ISO 5211
 VM 9259 = F04, F05
 VM 9260 = F04, F05, F07
 (indicate when ordering)

VM 9259 = square bushes 10 mm, 11 mm, 12 mm
 round bushes with nut 16 mm

VM 9260 = square bushes 10 mm, 11 mm, 12 mm,
 14 mm, 16 mm, 17 mm
 round bushes with nut 16 mm
 (indicate when ordering)

Markings

The actuator has a type plate with producer, art. no, the plants order number, and electrical data.

Mounting

Optional.
 Protection should be arranged for when mounting outdoors.

Maintenance

The actuator is maintenance free.

Order Number

| Voltage | Operating Time | Nm | Art. No |
|---------|----------------|--------|-----------|
| 230VAC | 25 s | 40 Nm | 925923025 |
| 230VAC | 6 s | 100 Nm | 92602306 |
| 400VAC | 6 s | 100 Nm | 92604006 |
| 24VDC | 6 s | 100 Nm | 926024DC6 |