

EBRO electric actuator, 400/360 Nm.



General

- Ebro electric actuator with a robust, completely ball beared worm gear.
- Safe arresting by self-inhibition.
- Changeable clutch nuts for mounting on different shaft ends.
- Mechanical position indicator disc for an optical control of the valve's position.
- Motor with thermic winding protection switch.
- Hand wheel enables immediate hand emergency.
- Maintenance-free, long life service by continuous lubrication.

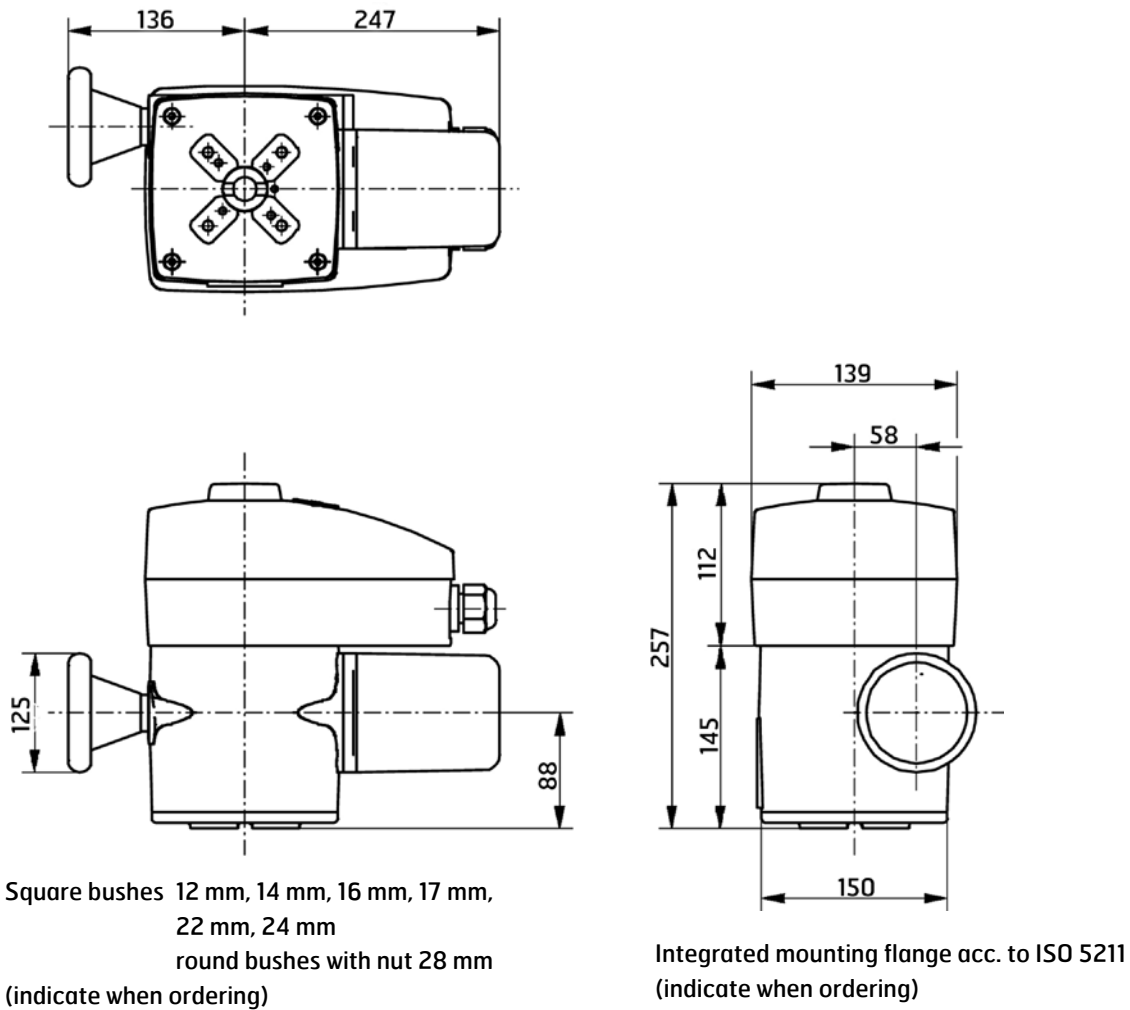
Options

- Additional limit switches.
- potentiometer
- Current feedback.
- Torque control.
- Timer.
- Single phase P.C.B.
- Three phase P.C.B.
- Direct-current P.C.B.

Technical Data and Weight (kg)

	VM 927023012	VM 927040012	VM 927024DC6
Rated torque Nm	400	400	360
Operating time 0-90° (sek)	12	12	6
Rated voltage	230VAC	400VAC	24VDC
Rated current A	1,3	1,0	8,8
Starting current A	2,0	1,8	12,5
Power consumption W	260	220	400
ON-time	30%ED	30%ED	30%ED
Protection class	IP 67	IP 67	IP 67
Operation temperature	-20°C - +70°C	-20°C - +70°C	-20°C - +70°C
Cable connection	2st M20x1,5	2st M20x1,5	2st M20x1,5
Corrosion protection	C4	C4	C4
Limit switch	250VAC/3A	250VAC/3A	24VAC/10A
Weight (kg)	14	14	14

Dimensional Drawing



Markings

The actuator has a type plate with producer, art. no, the plants order number, and electrical data.

Mounting

Optional.
 Protection should be arranged for when mounting outdoors.

Maintenance

The actuator is maintenance free.

Order Number			
Voltage	Operating Time	Nm	Art. No
230VAC	12 s	400 Nm	927023012
400VAC	12 s	400 Nm	927040012
24VDC	6 s	360 Nm	927024DC6