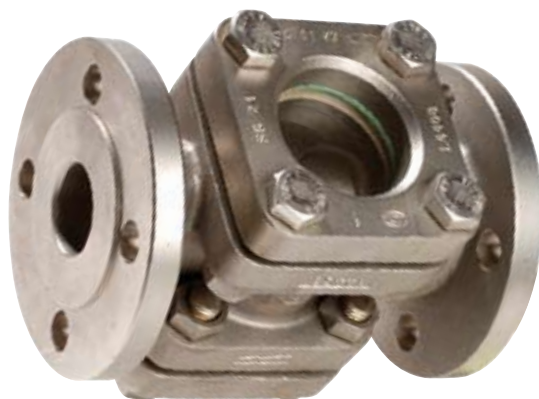


Sight glass, steel, DN 15-250, PN 16/40, flanges.



General

- Sight glass for liquids, steam, and gases.
- Body with embedded entry nozzle.
- Pressed hard glass acc. to DIN 8902, recommended for temperatures up to 150°C.
- Flanges acc. to DIN 2501.
- Face-to-face design acc. to EN 558/1 GR1.

Options

- Body in other materials.
- Butt welded ends.
- Female thread.
- With sight glass light.
- With impeller wheel.
- With other flange treatment.
- PN 10 and PN 25.
- Borosilicate glass acc. to DIN 7080 for temperatures up to 300°C.
- With indicator flap.
- Heating jacket.
- With screen wiper.

Materials

DN	15	20	25	32	40	50	65	80	100	125	150	200	250
Body in steel GS-C25	•	•	•	•	•	•	•	•	•	•	•	•	•
Flange in steel GS-C25	•	•	•	•	•	•	•	•	•	•	•	•	•
Pressed hard glass	•	•	•	•	•	•	•	•	•	•	•	•	•
Sealings in Uni-blau	•	•	•	•	•	•	•	•	•	•	•	•	•

(* = standard)

Technical Data

DN	15	20	25	32	40	50	65	80	100	125	150	200	250
Pressure rating PN 16 (VM 6403)	•	•	•	•	•	•	•	•	•	•	•	•	•
Pressure rating PN 40 (VM 6404)	•	•	•	•	•	•	•	•	•	•	•	•	•
Kv-value m ³ /h	7,4	14,2	22,8	36,5	60	98	148	224	350	547	778	1400	2190

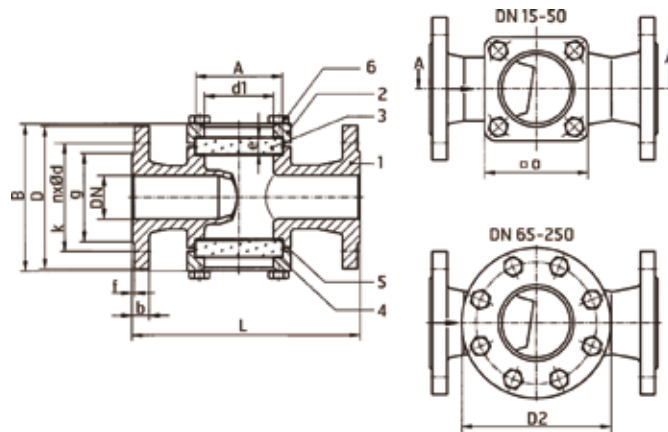
(* = standard)

Max Working Pressure bar (e) at Temperature

	-10°C	20°C	80°C	120°C	150°C	200°C*	250°C*	300°C*
VM 6403	16	16	16	16	15	14	13	11
VM 6404	40	40	40	40	38	35	32	28

* With borosilicate glass.

Dimensional Drawing



Details

1	Body
2	Flange
3	Glass
4	Sealing
5	Sealing
6	Hex.-nut

Dimensional Data (mm) and Weight VM 6403

DN	15	20	25	32	40	50	65	80	100	125	150	200	250
L	130	150	160	180	200	230	290	310	350	400	480	600	730
B	100	105	120	120	155	185	200	215	260	357	384	466	506
d1	32	32	48	48	65	80	80	100	125	175	175	175	175
a	70	70	85	85	110	120	-	-	-	-	-	-	-
D2	-	-	-	-	-	-	175	190	210	270	270	270	270
A	45	45	63	63	80	100	100	125	150	200	200	200	200
e	10	10	10	10	12	15	15	20	25	30	30	30	30
D	95	105	115	140	150	165	185	200	220	250	285	340	405
k	65	75	85	100	110	125	145	160	180	210	240	295	355
nxd	4x14	4x14	4x14	4x18	4x18	4x18	4x18	8x18	8x18	8x18	8x22	12x22	12x26
g	45	58	68	78	88	102	122	138	158	188	212	268	320
f	2	2	2	2	3	3	3	3	3	3	3	3	3
b	16	18	18	18	18	20	22	24	24	22	22	24	26
Weight (kg)	4	5	6,5	8,5	12	17	27	34	48	62	78	132	152

Order Number

DN	Art. No
15	6403015
20	6403020
25	6403025
32	6403032
40	6403040
50	6403050
65	6403065
80	6403080
100	6403100
125	6403125
150	6403150
200	6403200
250	6403250

Dimensional Data (mm) and Weight VM 6404

DN	15	20	25	32	40	50	65	80	100	125	150	200	250
L	130	150	160	180	200	230	290	310	350	400	480	600	730
B	100	105	135	140	170	200	210	235	280	407	434	526	556
d1	32	32	48	48	65	80	80	100	125	175	175	175	175
a	70	70	85	85	110	120	-	-	-	-	-	-	-
D2	-	-	-	-	-	-	175	190	210	270	270	270	270
A	45	45	63	63	80	100	100	125	150	200	200	200	200
e	10	10	15	15	20	25	25	30	35	50*	50*	50*	50*
D	95	105	115	140	150	165	185	200	235	270	300	375	450
k	65	75	85	100	110	125	145	160	190	220	250	320	385
nxd	4x14	4x14	4x14	4x18	4x18	4x18	8x18	8x18	8x22	8x26	8x26	12x30	12x33
g	45	58	68	78	88	102	122	138	162	188	218	285	345
f	2	2	2	2	3	3	3	3	3	3	3	3	3
b	16	18	18	18	18	20	22	24	24	26	28	34	38
Weight (kg)	4	5	6,5	8,5	12	17	27	34	48	73,8	82	138	158

Order Number

DN	Art. No
15	6404015
20	6404020
25	6404025
32	6404032
40	6404040
50	6404050
65	6404065
80	6404080
100	6404100
125	6404125
150	6404150
200	6404200
250	6404250

Markings

The sight glass is marked with DN, PN, materials, producer, and flow direction arrow.

Mounting

Optional.

Note the flow direction arrow.

Maintenance

The sight glass is maintenance free.