

Sight glass, stainless steel, DN 15-250, PN 16/40, flanges.



General

- Sight glass for liquids, steam, and gases.
- Body with embedded entry nozzle.
- Pressed hard glass acc. to DIN 8902, recommended for temperatures up to 150°C.
- Flanges acc. to DIN 2501.
- Face-to-face design acc. to EN 558/1 GR1.

Options

- Body in other materials.
- Butt welded ends.
- Female thread.
- With sight glass light.
- With impeller wheel.
- With other flange treatment.
- PN 10 and PN 25.
- Borosilicate glass acc. to DIN 7080 for temperatures up to 300°C.
- With indicator flap.
- Heating jacket.
- With screen wiper.

Materials

DN	15	20	25	32	40	50	65	80	100	125	150	200	250
Body in stainless steel 1.4408	•	•	•	•	•	•	•	•	•	•	•	•	•
Flange in stainless steel 1.4408	•	•	•	•	•	•	•	•	•	•	•	•	•
Pressed hard glass	•	•	•	•	•	•	•	•	•	•	•	•	•
Sealings in Uni-blau	•	•	•	•	•	•	•	•	•	•	•	•	•

(* = standard)

Technical Data

DN	15	20	25	32	40	50	65	80	100	125	150	200	250
Pressure rating PN 16 (VM 6405)•	•	•	•	•	•	•	•	•	•	•	•	•	•
Pressure rating PN 40 (VM 6406)•	•	•	•	•	•	•	•	•	•	•	•	•	•
Kv-value m ³ /h	7,4	14,2	22,8	36,5	60	98	148	224	350	547	778	1400	2190

(* = standard)

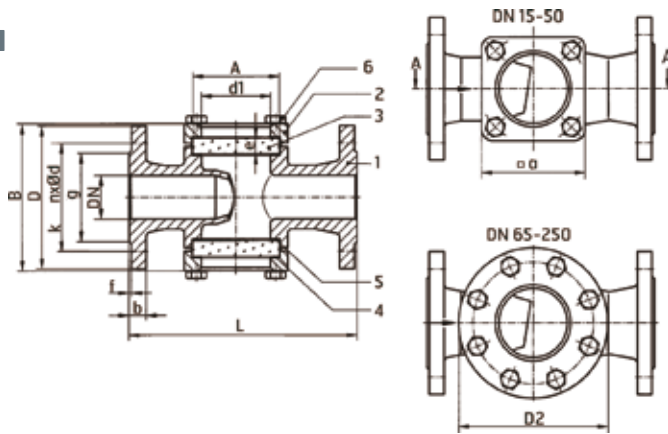
Max Working Pressure bar (e) at Temperature

	-10°C	20°C	80°C	120°C	150°C	200°C*	250°C*	300°C*
VM 6405	16	16	13	12	11	10	9	9
VM 6406	40	40	34	31	28	25	23	21

* With borosilicate glass.

In the interest of technical changes, designs and dimensions may be subject to change | VM 6405-6406 | 2009-03-12

Dimensional



Details

- | | |
|---|----------|
| 1 | Body |
| 2 | Flange |
| 3 | Glass |
| 4 | Sealing |
| 5 | Sealing |
| 6 | Hex.-nut |

Dimensional Data (mm) and Weight VM 6405

DN	15	20	25	32	40	50	65	80	100	125	150	200	250
L	130	150	160	180	200	230	290	310	350	400	480	600	730
B	100	105	120	120	155	185	200	215	260	357	384	466	506
d1	32	32	48	48	65	80	80	100	125	175	175	175	175
a	70	70	85	85	110	120	-	-	-	-	-	-	-
D2	-	-	-	-	-	-	175	190	210	270	270	270	270
A	45	45	63	63	80	100	100	125	150	200	200	200	200
e	10	10	10	10	12	15	15	20	25	30	30	30	30
D	95	105	115	140	150	165	185	200	220	250	285	340	405
k	65	75	85	100	110	125	145	160	180	210	240	295	355
nxd	4x14	4x14	4x14	4x18	4x18	4x18	4x18	8x18	8x18	8x18	8x22	12x22	12x26
g	45	58	68	78	88	102	122	138	158	188	212	268	320
f	2	2	2	2	3	3	3	3	3	3	3	3	3
b	16	18	18	18	18	20	22	24	24	22	22	24	26
Weight (kg)	4	5	6,5	8,5	12	17	27	34	48	62	78	132	152

Order Number

DN	Art. No
15	6405015
20	6405020
25	6405025
32	6405032
40	6405040
50	6405050
65	6405065
80	6405080
100	6405100
125	6405125
150	6405150
200	6405200
250	6405250

Dimensional Data (mm) and Weight VM 6406

DN	15	20	25	32	40	50	65	80	100	125	150	200	250
L	130	150	160	180	200	230	290	310	350	400	480	600	730
B	100	105	135	140	170	200	210	235	280	407	434	526	556
d1	32	32	48	48	65	80	80	100	125	175	175	175	175
a	70	70	85	85	110	120	-	-	-	-	-	-	-
D2	-	-	-	-	-	-	175	190	210	270	270	270	270
A	45	45	63	63	80	100	100	125	150	200	200	200	200
e	10	10	15	15	20	25	25	30	35	50*	50*	50*	50*
D	95	105	115	140	150	165	185	200	235	270	300	375	450
k	65	75	85	100	110	125	145	160	190	220	250	320	385
nxd	4x14	4x14	4x14	4x18	4x18	4x18	8x18	8x18	8x22	8x26	8x26	12x30	12x33
g	45	58	68	78	88	102	122	138	162	188	218	285	345
f	2	2	2	2	3	3	3	3	3	3	3	3	3
b	16	18	18	18	18	20	22	24	24	26	28	34	38
Weight (kg)	4	5	6,5	8,5	12	17	27	34	48	73,8	82	138	158

Order Number

DN	Art. No
15	6406015
20	6406020
25	6406025
32	6406032
40	6406040
50	6406050
65	6406065
80	6406080
100	6406100
125	6406125
150	6406150
200	6406200
250	6406250

Markings

The sight glass is marked with DN, PN, materials, producer, and flow direction arrow.

Mounting

Optional.

Note the flow direction arrow.

Maintenance

The sight glass is maintenance free.