

VM 6430-6431

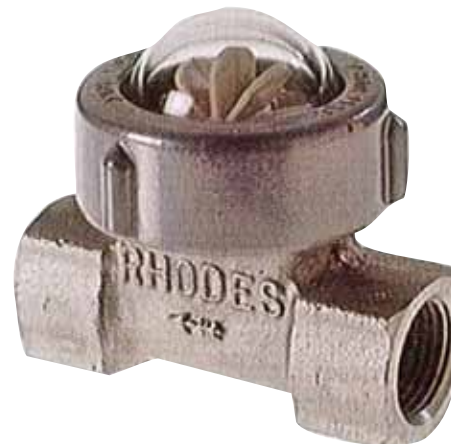
Ventim AB | Box 726 | 391 27 Kalmar
Tel. 0480-42 91 00 | Fax. 0480-42 91 20
Mail. info@ventim.se | www.ventim.se

Flow indicator, gun metal or stainless steel, DN 8-25, PN 7/16, female threaded.

VM 6430



VM 6431



General

- Flow indicator for indication of flow in for example cooling or lubrication of bearings and similar applications.

Options

- Different thread ends.

Materials

DN	8	10	15	20	25
Body in gun metal Rg5 (VM 6430)	•	•	•	•	•
Body in stainless steel AISI 316 (VM 6431)	•	•	•	•	•
Cover ring in brass (VM 6430)	•	•	•	•	•
Cover ring in stainless steel AISI 316 (VM 6431)	•	•	•	•	•
Heat resistant glass (VM 6430)	•	•	•	•	•
Glass in Borosilicate (VM 6431)	•	•	•	•	•
Spinner in nylon	•	•	•	•	•
Spinner shaft in stainless steel AISI 316	•	•	•	•	•
O-rings in Nitril	•	•	•	•	•

(• = standard)

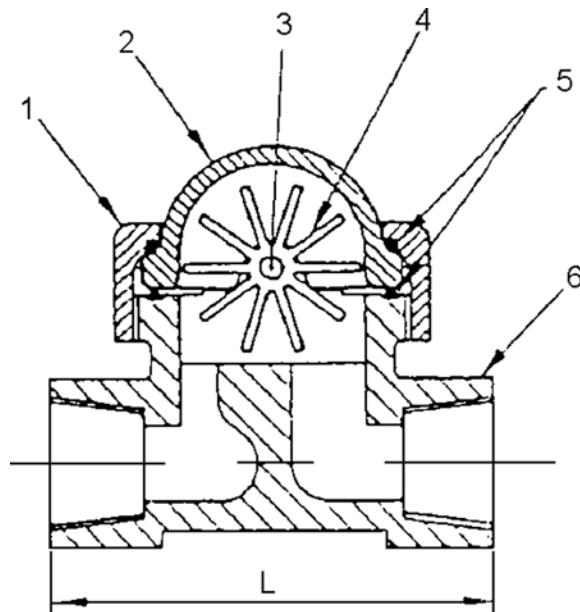
Technical Data

DN	8	10	15	20	25
Pressure rating PN 7 (VM 6430)	•	•	•	•	•
Pressure rating PN 16 (VM 6431)	•	•	•	•	•
Temperature max 100°C	•	•	•	•	•
Min. flow l/h	30	50	60	120	300
Max flow l/h	200	450	600	1600	1600

(• = standard)

In the interest of technical progress, designs and dimensions may be subject to change | VM 6430-6431 | 2011-03-22

Dimensional Drawing



Dimensional Data (mm) and Weight

DN	8	10	15	20	25
L	76	76	76	83	89
Weight (kg)	0,24	0,36	0,45	0,75	0,86

Details

1	Cover ring
2	Glass
3	Spinner shaft
4	Spinner
5	O-ring
6	Body

Markings

The flow indicator is marked with DN, producer, max pressure, max temperature °C and flow direction arrow.

Mounting

Optional.

Maintenance

The flow indicator is maintenance free.

Order Number

DN	VM 6430	VM 6431
8	6430008	6431008
10	6430010	6431010
15	6430015	6431015
20	6430020	6431020
25	6430025	6431025