

Sight glass, steel or stainless steel, DN 25-200, PN 16/10.

VM 6461



VM 6462



General

- Round welding sight glasses acc. to DIN 28120.
- Consisting of flange and cover, with glass plates made of pressed hard glass acc. to DIN 8902, recommended for temperatures up to 150°C.

Options

- Other materials.
- Screwed-on sight glass acc. to DIN 28121.
- With light.
- With screen wiper.
- With spray-device.
- For higher working pressures.
- Borosilicate glass acc. to DIN 7081 for temperatures up to 280°C.

Materials

DN	25	40	50	80	100	125	150	200
Flange in Rst 37-2 (VM 6461)	•	•	•	•	•	•	•	•
Flange in stainless steel 1.4571 (VM 6462)	•	•	•	•	•	•	•	•
Cover in steel Rst 37-2	•	•	•	•	•	•	•	•
Sealings in It 400	•	•	•	•	•	•	•	•
Pressed hard glass	•	•	•	•	•	•	•	•

(• = standard)

Technical Data

DN	25	40	50	80	100	125	150	200
Pressure rating PN	16	16	16	16	16	16	16	10
Temperature max 150°C ¹	•	•	•	•	•	•	•	•

1. Borosilicate glass recommended for temperatures above 150°C.

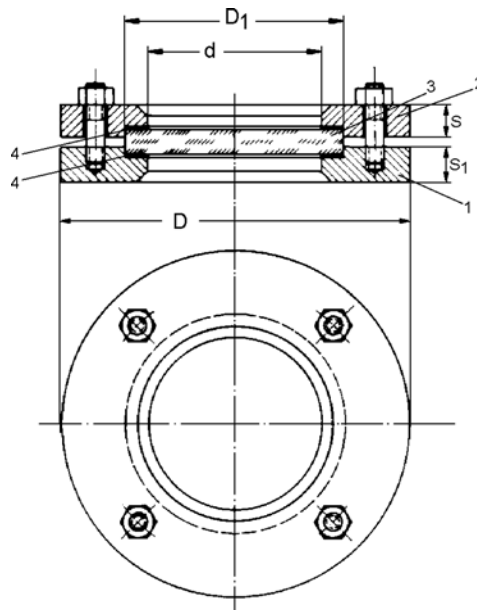
(• = standard)

Max Working Pressure bar (e) at Temperature

VM No	PN	20°C	120°C	200°C*	250°C*	280°C*
6461	16	16	16	13	11	10
6461	10	10	10	8	7	6
6462	16	16	13	12	11	10
6462	10	10	8	7	7	6

* With borosilicate glass.

Dimensional Drawing



Dimensional Data (mm) and Weight

DN	25	40	50	80	100	125	150	200
D	115	150	165	200	220	250	285	340
D1	63	80	100	125	150	175	200	250
d	48	65	80	100	125	150	175	225
Glass thickness PN 10	10	12	15	15	20	20	25	30
Glass thickness PN 16	10	12	15	20	25	25	30	-
S	16	16	16	20	22	25	30	35
S1	25	30	30	30	30	30	36	36
Weight (kg)	3,2	6,3	7,5	11,7	14,2	18,1	27,8	38,5

Details

- 1 Flange
- 2 Cover
- 3 Glass
- 4 Sealings

Markings

The sight glass is marked with DN, PN, materials, and producer.

Order Number

DN	VM 6461	VM 6462
25	6461025	6462025
40	6461040	6462040
50	6461050	6462050
80	6461080	6462080
100	6461100	6462100
125	6461125	6462125
150	6461150	6462150
200	6461200	6462200