

VM 1100-1102

Ventim AB | Box 726 | 391 27 Kalmar
 Tel. 0480-42 91 00 | Fax. 0480-42 91 20
 Mail. info@ventim.se | www.ventim.se

Needle valve, brass or stainless steel, DN 6-25, PN 100/400, female thread.



General

- Needle valve for liquids, steam, and gases.
- One piece body construction.
- A small orifice plus that the force advantage of the fine-threaded stem is high makes the needle valve easy to shot off completely.

Options

- Male thread.
- NPT thread.
- Locked box nut.
- Hand wheel in EN 1.4436.

Materials

	VM 1100	VM 1101	VM 1102
Body	brass SS 5170	stainless steel EN 1.4104	stainless steel EN 1.4401
Stem	brass SS 5170	stainless steel EN 1.4021	stainless steel EN 1.4460
Hand wheel of steel plate	•	•	•

(* = standard)

Technical Data

DN	6	8	10	15	20	25
PN 100 (VM 1100)	-	•	•	•	-	-
PN 400 (VM 1101-1102)	•	•	•	•	•	•
Kv-value m ³ /h	0,30	0,42	0,48	0,54	1,20	1,45

(* = standard)

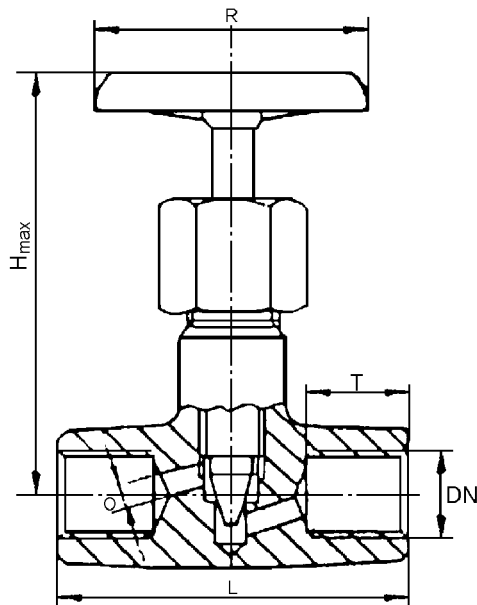
Max Operating Pressure (bar) at Temperature

	20°C	110°C	125°C	200°C	300°C
VM 1100	100	16	(max 185°C)		
VM 1101-1102	400	-	160	125	20

Local conditions must be considered.

Designs and dimensions may be subject to modification without prior notice | VM 1100-1102 | 2002-10-17

Dimensional Drawing



Dimensional Data (mm) and Weight VM 1100

DN	6	8	10	15	20	25
L	-	48	54	56	-	-
H	-	80	80	80	-	-
T	-	14	16	17	-	-
O	-	4	5	5	-	-
R	-	65	65	65	-	-
Weight (kg)	-	0,30	0,30	0,30	-	-

Dimensional Data (mm) and Weight VM 1101-1102

DN	6	8	10	15	20	25
L	60	60	60	60	70	78
H	85	85	85	85	100	110
T	12	14	15	16	18	20
O	4	5	5	5	8	10
R	65	65	65	65	85	100
Weight (kg)	0,42	0,40	0,38	0,34	0,90	1,05

Marking

The valve is marked with DN, PN, producer, and flow direction arrow.

Mounting

Optional.

Consider the flow direction arrow.

Maintenance

The valve is maintenance free.

For best function though, regularly exercising is recommended.

Order Number

DN	VM 1100	VM 1101	VM 1102
6	-	1101006	1102006
8	1100008	1101008	1102008
10	1100010	1101010	1102010
15	1100015	1101015	1102015
20	-	1101020	1102020
25	-	1101025	1102025