

Needle valve, stainless steel or steel, DN 8-25, PN 400/100, butt welded ends.



VM 1103



VM 1104

General

- Needle valve for liquids, steam, and gases.
- One piece body construction.
- A small orifice plus that the force advantage of the fine-threaded stem is high makes the needle valve easy to shot off completely.

Options

- Locked box nut.
- Hand wheel in EN 1.4436.

Materials

	VM 1103	VM 1104
Body	stainless steel EN 1.4401	steel EN 1.0460
Stem	stainless steel EN 1.4460	stainless steel EN 1.4021
Butt welded ends	stainless steel EN 1.4401	steel EN 1.0460
Hand wheel of steel plate	•	•

(* = standard)

Technical Data

DN	8	10	15	20	25
PN 400 (VM 1103)	•	•	•	•	•
PN 100 (VM 1104)	-	•	•	-	-
Kv-value m ³ /h	0,42	0,48	0,54	1,20	1,45

(* = standard)

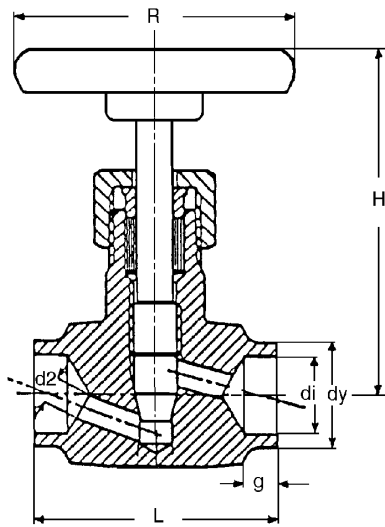
Max Operating Pressure (bar) at Temperature

	20°C	110°C	200°C	300°C
VM 1103	400	160	125	20
VM 1104	100			40

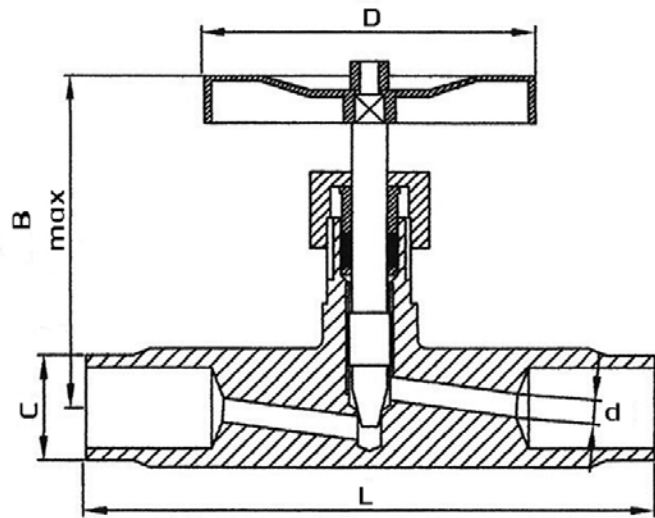
Local conditions must be considered.

Designs and dimensions may be subject to modification without prior notice | VM 1103-1104 | 2009-03-11

Dimensional Drawing



VM 1103



VM 1104

Dimensional Data (mm) and Weight VM 1103

DN	8	10	15	20	25
L	60	60	60	70	78
H	85	85	85	100	110
d2	5	5	5	8	10
R	65	65	65	85	100
dy	13,5	17,2	21,3	26,9	34,0
di	8,5	12,5	16,0	20,0	25,0
g	8	8	8	9	9
Weight (kg)	0,4	0,38	0,34	0,9	1,05

Dimensional Data (mm) and Weight VM 1104

DN	10	15
L	120	120
B	85	85
D	70	70
C	18	22
d	5	5
Weight (kg)	0,38	0,34

Marking

The valve is marked with DN, PN, producer, and flow direction arrow.

Mounting

Optional.

Consider the flow direction arrow.

Maintenance

The valve is maintenance free.

For best function though, regularly exercising is recommended.

Order Number

DN	VM 1103	VM 1104
8	1103008	-
10	1103010	1104010
15	1103015	1104015
20	1103020	-
25	1103025	-