

Y type globe valve, stainless steel, DN 15-32, PN 40, female thread.



General

- Y type globe valve for hydraulic, chemical, steam, oil/gas, oxygen, and vacuum.
- Raising stem.
- Full bore.
- Low pressure drop compared to vertical globe valves.
- Hand wheel operated.
- Female thread according to DIN 2999.

Options

- DN 8-10.
- DN 40-80.

Pressure- and Temperature Diagram

See Figure 1. Note that local conditions must be considered.

Materials

DN	15	20	25	32
Body in stainless steel EN 1.4408	•	•	•	•
Bonnet in stainless steel EN 1.4408	•	•	•	•
Stem and disc in stainless steel EN 1.4401	•	•	•	•
Packing gland in stainless steel EN 1.4401	•	•	•	•
Gasket, disc ring and stem packing in PTFE	•	•	•	•
Hand wheel in mico steel	•	•	•	•

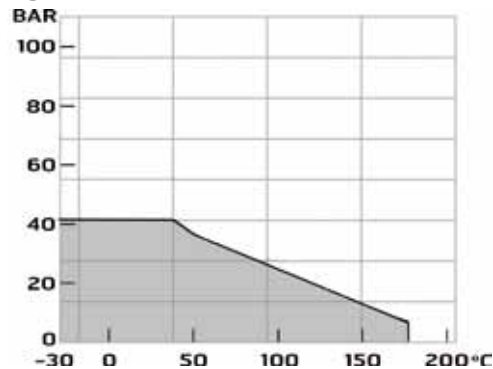
(• = standard)

Technical Data

DN	15	20	25	32
Pressure rating PN 40*	•	•	•	•
Kv-value m ³ /h	5,4	12	23	37

(• = standard)

Figure 1



Markings

The valve is marked with DN, PN, materials, and flow direction arrow.

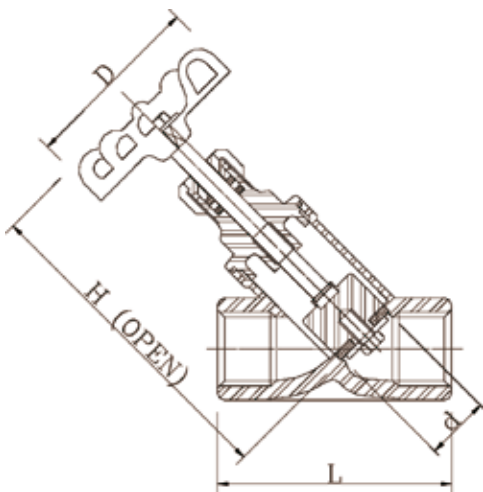
Montage

Optional. Consider the flow direction arrow.

Maintenance

The valve is maintenance free. Regular exercise of the valve is recommended for best functionality.

Dimensional Drawing



Dimensions (mm) and Weight

DN	15	20	25	32
L	65	80	90	105
H	107	122	142	155
D	60	70	70	70
d	15	20	25	32
Weight (kg)	0,48	0,6	1,1	1,3

Order Number

DN	Art. No
15	1242015
20	1242020
25	1242025
32	1242032