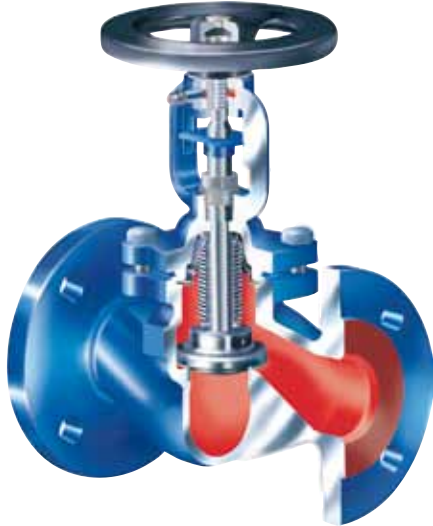


ARI globe valve with bellows seal, ductile iron, steel, or stainless steel, DN 15-150, PN 25/40, flanges.



General

- Globe valve for liquids, steam, and gases.
- Two-ply bellows seal.
- Non-rising hand wheel.
- Heat dissipating bonnet.
- Face-to-face design according to DIN EN 558-1.
- VM 1853, flanges according to DIN EN 1092-1/2 (DIN 2544).
- VM 1871, flanges according to DIN EN 1092-1/2 (DIN 2545).
- VM 1878, flanges according to DIN EN 1092-1/2 (DIN 2545).
- Leakage proof according to EN 12266-1, Rate A.
- Lubricating nipple as locking device.
- Non-rotation lock for each nominal diameter.
- Position indicator.
- TA-Luft certificate.

Options

- DN 200-400 (VM 1853, VM 1871) and DN 200 (VM 1878).
- Bellows seal out of media flow path.
- Favorable zeta-values also for small nominal diameters.
- Gland packing sleeve with pivot mounted bolts.

Materials

	VM 1853	VM 1871	VM 1878
Body	ductile iron EN-JL1049	steel EN 1.0619+N	stainless steel EN 1.4408 casted
Bonnet DN 15-80	ductile iron EN-JL1049	ductile iron EN-JL1049	steel EN 1.0460
Bonnet DN >80	ductile iron EN-JL1049	steel EN 1.0619+N	steel EN 1.0619+N
Cone	stainless steel EN 1.4021+QT	stainless steel EN 1.4021+QT	stainless steel EN 1.4571
Seat ring DN 15-50	stainless steel EN 1.4021+QT	stainless steel EN 1.4021+QT	-
Seat ring DN 65-150	stainless steel EN 1.4021+QT	stainless steel EN 1.4551	-
Bellow	stainless steel EN 1.4571	stainless steel EN 1.4571	stainless steel EN 1.4571
Stem	stainless steel EN 1.4021+QT	stainless steel EN 1.4021+QT	stainless steel EN 1.4571
Sealings	graphite	graphite	graphite

Technical Data

DN	15	20	25	32	40	50	65	80	100	125	150
Pressure Rating PN 25 (VM 1853)	•	•	•	•	•	•	•	•	•	•	•
Pressure Rating PN 40 (VM 1871, VM 1878)	•	•	•	•	•	•	•	•	•	•	•
Kvs-value m ³ /h	4,7	7,4	11,2	18,3	29,3	44,2	73,2	112,2	173	288	410

(• = standard)

Pressure-Temperature Rating

	-60°C--<10°C ¹	-10°C--<120°C	150°C	+200°C	250°C	+300°C	350°C	+400°C	+450°C
VM 1853 on request	25	24,3	23	21,8	20	17,5	-	-	
VM 1871	30	40	38,1	35	32	28	25,7	23,8	22,2
VM 1878	40	40	36,3	33,7	31,8	29,7	28,5	27,4	-

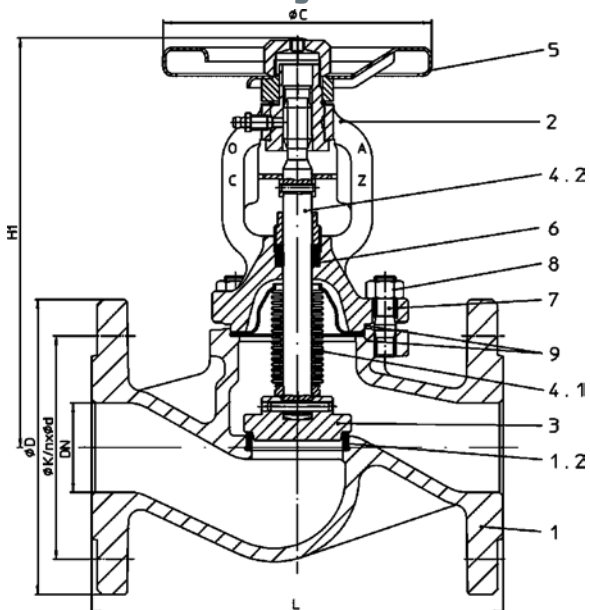
1. Studs and nuts made of A4-70 at temperatures <-10°C.
 Local conditions must be considered.

Relief Cone¹

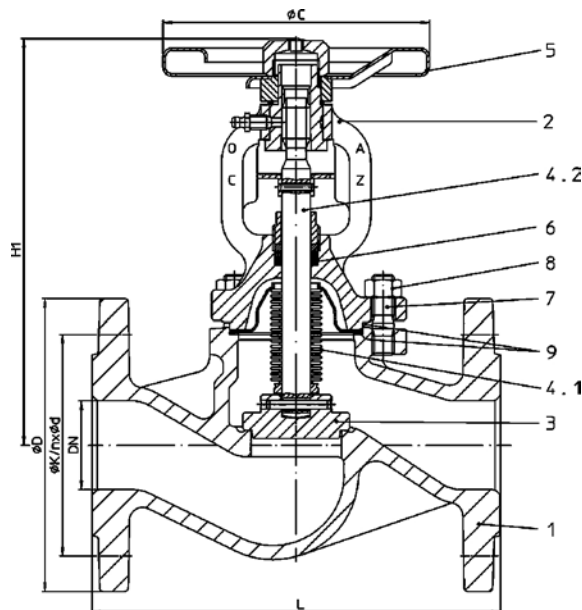
DN	125	150
Max differential pressure Δp (bar)	25	21

1. A relief cone is necessary when the operational pressure exceeds given values in the table

Dimensional Drawing



VM 1853 & VM 1871



VM 1878

Dimensions (mm) and Weight VM 1853

DN	15	20	25	32	40	50	65	80	100	125	150
L	130	150	160	180	200	230	290	310	350	400	480
H1	205	205	210	210	225	230	245	265	365	395	425
ØC	126	126	126	126	150	150	175	175	225	300	400
Travel	6	6	8	8	13	13	16	20	25	32	40
ØD	95	105	115	140	150	165	185	200	235	270	300
ØK	65	75	85	100	110	125	145	160	190	220	250
nxØd	4x14	4x14	4x14	4x18	4x18	4x18	8x18	8x18	8x22	8x26	8x26
Weight (kg)	3,6	4,3	5,3	6,6	9,2	11,6	15,8	21,8	33	54	69

Dimensions (mm) and Weight VM 1871

DN	15	20	25	32	40	50	65	80	100	125	150
L	130	150	160	180	200	230	290	310	350	400	480
H1	205	205	210	210	225	230	245	265	365	395	425
ØC	126	126	126	126	150	150	175	225	300	300	400
Travel	6	6	8	8	13	13	16	20	25	32	40
ØD	95	105	115	140	150	165	185	200	235	270	300
ØK	65	75	85	100	110	125	145	160	190	220	250
nxØd	4x14	4x14	4x14	4x18	4x18	4x18	8x18	8x18	8x22	8x26	8x26
Weight (kg)	4,5	4,8	6,2	7,3	10,6	12,6	19,1	26,1	35	60,3	88

Dimensions (mm) and Weight VM 1878

DN	15	20	25	32	40	50	65	80	100	125	150
L	130	150	160	180	200	230	290	310	350	400	480
H1	205	205	210	210	225	230	245	265	365	395	425
ØC	126	126	126	126	150	150	175	225	300	300	400
Travel	6	6	8	8	13	13	16	20	25	32	40
ØD	95	105	115	140	150	165	185	200	235	270	300
ØK	65	75	85	100	110	125	145	160	190	220	250
nxØd	4x14	4x14	4x14	4x18	4x18	4x18	8x18	8x18	8x22	8x26	8x26
Weight (kg)	4,3	4,8	6,3	7,3	10,3	12,6	19	26	35	56	74

Details

1	Body	5	Hand wheel
1.2	Seat ring	6	Sealing
2	Bonnet	7	Stud
3	Cone	8	Hexagon nut
4.1	Bellow	9	Sealing
4.2	Stem		

Markings

The valve is marked with DN, PN, materials, CE (DN 32-500), type no, flow direction arrow, and production year.

Mounting

Installation, see manual.

Consider the flow direction arrow.

Maintenance

The valve is maintenance free.

Regular exercise of the valve is recommended for best functionality.

Order Number

DN	VM 1853	VM 1871	VM 1878
15	1853015	1871015	1878015
20	1853020	1871020	1878020
25	1853025	1871025	1878025
32	1853032	1871032	1878032
40	1853040	1871040	1878040
50	1853050	1871050	1878050
65	1853065	1871065	1878065
80	1853080	1871080	1878080
100	1853100	1871100	1878100
125	1853125	1871125	1878125
150	1853150	1871150	1878150