

ARI control valve, cast iron, DN 15-150, PN 16, pneumatic actuator.



General

- ARI compact control valve with pneumatic actuator for cooling water, cooling brine, warm water, hot water, steam, gas, and oil.
- Precision guided stem.
- Reversible pneumatic actuator.
- Tapered seat ring.
- Actuator with rolling diaphragm.
- Spring closes.
- Rangeability 50:1.
- Travel indicator.
- Actuator in 3 different sizes (DP32, DP33 and DP34). The size of the valve along with the working pressure decide size of actuator.
- Flanges according to DIN EN 1092-1/2, DIN 2533.

Options

- Electrical actuator.
- Spring opens.
- Stem sealing PTFE-V-ring unit, -10°C - +220°C.
- Stem sealing PTFE-packning, -10°C - +250°C.
- Parabolic plug with PTFE soft seal (max 200°C).
- V-port plug, metal seat (rangeability 30:1).
- Parabolic pressure balanced plug, metal seat and piston seal in PTFE with stainless steel spring (max 200°C).
- Hand wheel.
- DN 200-250.
- PN 25, 40, 63, 100, 160.
- Butt welded ends.
- ANSI.
- Other materials, for example ductile iron, steel, stainless steel.

In the interest of technical progress, designs and dimensions may be subject to change | VM 5890 | 2010-05-24

Materials

DN	15	20	25	32	40	50	65	80	100	125	150
Body in cast iron EN-JL1040	•	•	•	•	•	•	•	•	•	•	•
Seat ring in stainless steel EN 1.4021+QT	•	•	•	•	•	•	•	•	•	•	•
Plug in stainless steel EN 1.4021+QT	•	•	•	•	•	•	•	•	•	•	•
Gasket in pure graphite	•	•	•	•	•	•	•	•	•	•	•

(* = standard)

Technical Data

DN	15	20	25	32	40	50	65	80	100	125	150
PN 16	•	•	•	•	•	•	•	•	•	•	•
Kvs-value m ³ /h	4	6,3	10	16	25	40	63	100	160	250	400

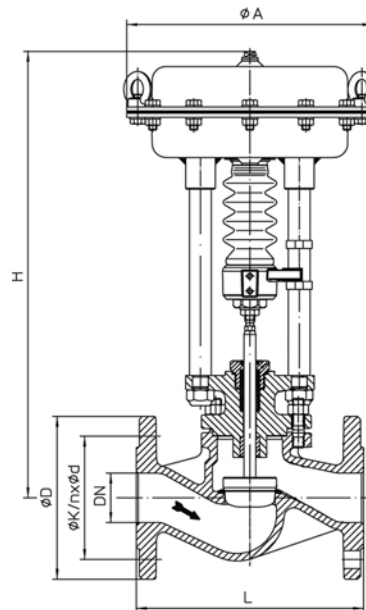
(* = standard)

Max Pressure rating bar (e) at Temperature

-10°C	0°C	+120°C	+150°C	+200°C	+250°C	+300°C
16	16	16	14,4	12,8	11,2	9,6

Local conditions must be considered.

Dimensional Drawing



Dimensions (mm) and Weight DP32

DN	15	20	25	32	40	50	65	80	100
L	130	150	160	180	200	230	290	310	350
ØA	250	250	250	250	250	250	250	250	250
H	442	442	450	450	457	463	476	491	510
ØD	95	105	115	140	150	165	185	200	220
ØK	65	75	85	100	110	125	145	160	180
nxØd	4x14	4x14	4x14	4x18	4x18	4x18	8x18	8x18	8x22
Weight (kg)	12,6	13,3	14,2	15,8	17,7	20,6	25,7	31,4	42

Dimensions (mm) and Weight DP33

DN	15	20	25	32	40	50	65	80	100
L	130	150	160	180	200	230	290	310	350
ØA	300	300	300	300	300	300	300	300	300
H	497	497	505	505	512	518	531	546	565
ØD	95	105	115	140	150	165	185	200	220
ØK	65	75	85	100	110	125	145	160	180
nxØd	4x14	4x14	4x14	4x18	4x18	4x18	8x18	8x18	8x22
Weight (kg)	18,6	19,3	20,2	21,8	23,7	26,6	31,7	37,4	48

Dimensions (mm) and Weight DP34

DN	65	80	100	125	150
L	290	310	350	400	480
ØA	405	405	405	405	405
H	666	681	680	719	779
ØD	185	200	220	250	285
ØK	145	160	180	210	240
nxØd	4x18	8x18	8x18	8x18	8x22
Weight (kg)	64,5	75,5	91	104	126

Dimensional Table on Request.

Markings

The valve is marked with DN, PN, materials, producer and flow direction arrow.

Mounting

Optional.

Note the flow direction arrow.

Maintenance

The valve is maintenance free.

Order Number

DN	Art. No
15	5890015
20	5890020
25	5890025
32	5890032
40	5890040
50	5890050
65	5890065
80	5890080
100	5890100
125	5890125
150	5890150