

Gate Valve, brass, DN 10-100, PN 15, female thread.



General

- Gate valve for liquids and gases.
- Non rising stem.
- Strong red coated steel hand-wheel.
- Female threads according to DIN 2999.
- Low pressure drop.

Options

- Different materials.
- Different designs.
- Different thread standard.
- Larger dimensions.

Materials

DN	10	15	20	25	32	40	50	65	80	100
Body in brass CW617N	•	•	•	•	•	•	•	•	•	•
Gate in brass CW614N	•	•	•	•	•	•	•	•	•	•
Stem in brass CW614N	•	•	•	•	•	•	•	•	•	•
Body sealing in fiber	•	•	•	•	•	•	•	•	•	•
Bonnet in brass CW617N	•	•	•	•	•	•	•	•	•	•
Stuffing box in brass EPDM	•	•	•	•	•	•	•	•	•	•
Gland in brass CW614N	•	•	•	•	•	•	•	•	•	•
Hexagon screw in brass CW614N	•	•	•	•	•	•	•	•	•	•
Hand wheel in steel	•	•	•	•	•	•	•	•	•	•

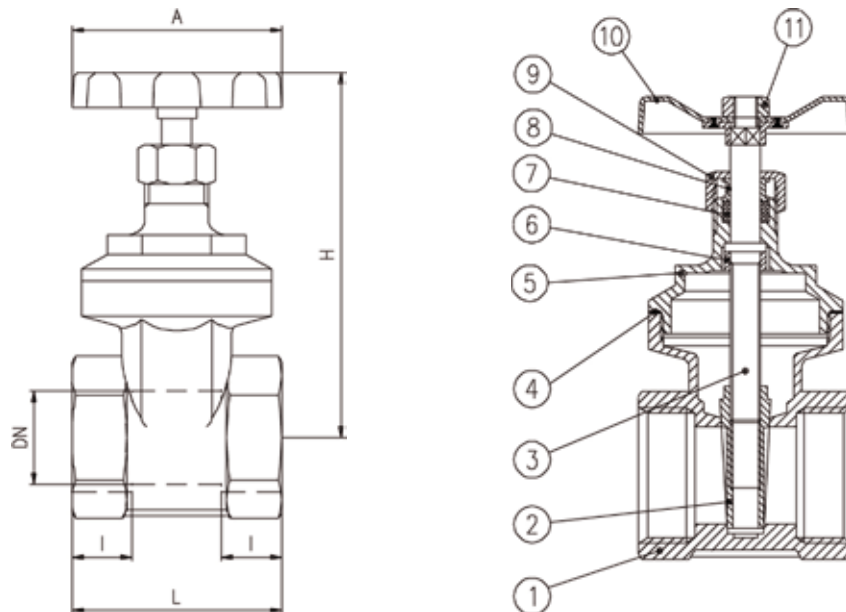
(• = standard)

Technical Data

DN	10	15	20	25	32	40	50	65	80	100
Pressure rating PN 16	•	•	•	•	•	•	•	•	•	•
Temperature +5°C - +80°C	•	•	•	•	•	•	•	•	•	•
Kv-value m ³ /h	6	13	29	46	70	115	180	310	460	730

(• = standard)

Dimensional Drawing



Dimensional Data (mm) and Weight

DN	10	15	20	25	32	40	50	65	80	100
L	33	43	47	53	57	61	67	74	86	98
I	8	10	11	13	14	14	16	17	19	22
A	45	45	50	55	60	70	80	100	100	120
H	67	68	78	93	108	125	143	175	205	235
Weight (kg)	0,15	0,20	0,21	0,43	0,59	0,74	1,18	1,99	2,6	4,5

Details

1	Body
2	Gate
3	Stem
4	Body Sealing
5	Bonnet
6	Stem
7	Stuffing Box
8	Gland
9	Hexagon Screw
10	Hand Wheel
11	Hexagon Screw

Markings

The valve is marked with DN and PN.

Mounting

Optional.

Maintenance

The valve is maintenance free.

For best function though, regular exercise is recommended.

Order Number

DN	Art. No	RSK No
10	2241010	440 6000
15	2241015	440 6001
20	2241020	440 6002
25	2241025	440 6003
32	2241032	440 6004
40	2241040	440 6005
50	2241050	440 6006
65	2241065	440 6007
80	2241080	440 6008
100	2241100	440 6009