

EBRO pinch valve, aluminiumalloy, DN 40-200, PN 5, flanges.



VM 3402



VM 3403

General

- Ebro pinch valve for pneumatic conveying systems and solid mattered wastewater, mud, and similar media.
- Full bore.

Options

- Seat in other materials.
- Equipped with a solenoid valve which enables electro-pneumatic operation.
- Epoxy coating.
- Rilsan coated flanges.

Materials

DN	40	50	65	80	100	125	150	200
Body in aluminiumalloy W3.2381	•	•	•	•	•	•	•	•
Flanges in aluminiumalloy W3.2381 (VM 3402)	•	•	•	•	•	•	•	•
Flanges in aluminiumalloy W3.2381, rubber coated (VM 3403)	•	•	•	•	•	•	•	•
Seat in natural rubber	•	•	•	•	•	•	•	•

(• = standard)

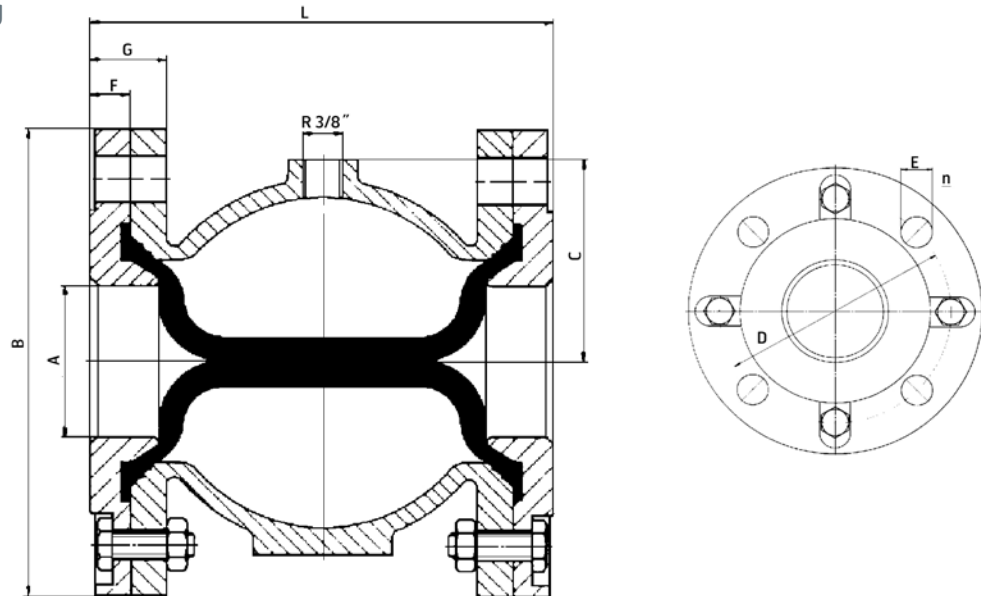
Technical Data

DN	40	50	65	80	100	125	150	200
Max working pressure 5 bar	•	•	•	•	•	•	•	•
Max differential pressure 7 bar ¹	•	•	•	•	•	•	•	•
Pressure rating mounting flanges PN 10	•	•	•	•	•	•	•	•
Temperature max 100°C	•	•	•	•	•	•	•	•

1. Max. p 2 bar (control air pressure-operating pressure).

(• = standard)

Dimensional Drawing



Dimensional Data (mm) and Weight

DN	40	50	65	80	100	125	150	200
L	156	167	182	226	282	350	420	559
A	35	45	60	75	95	120	145	195
B	150	165	185	200	220	250	285	340
C	55	64	81	94	112	139	162	210
D	110	125	145	160	180	210	240	295
E	18	18	18	18	18	18	23	23
n	4	4	4	4	8	8	8	8
F	16	16	16	18	21	23	25	32
G	30	30	30	34	39	43	50	57
Weight (kg)	3	3,5	4,5	6	8,5	13	20	27

Markings

The valve is marked with DN, PN, producer, materials, and type.

Mounting

Optional.

Maintenance

The valve is maintenance free.

For best function though, regular exercising is recommended.

Order Number

DN	VM 3402	VM 3403
40	3402040	3403040
50	3402050	3403050
65	3402065	3403065
80	3402080	3403080
100	3402100	3403100
125	3402125	3403125
150	3402150	3403150
200	3402200	-