

# Knife Gate Valve VM2002P

cast iron | DN 50-800 | PN 10/2 | wafer type



The technical design of the specified product here may be subject to change without notice

## General

- » Knife gate valve for water, sewage water, sludge etc.
- » Automated with pneumatic actuator.
- » Non-rising stem.
- » Soft seal.
- » Full port design for greater flow capacity and minimal pressure drop.
- » The disc guides on full stroke ensure bidirectional shutoff.
- » Inside part of the body is machined, allowing more control in the different dimension tolerances.
- » Exchangeable seat.
- » Face-to-face design according to EN 558-1 series 20 up to DN 500.

## Options

- » Body in stainless steel, VM2005.
- » Disc in stainless steel 1.4401 or stainless steel 1.4571.
- » Stem in stainless steel 1.4401 or stainless steel 1.4571.
- » Seat in EPDM.
- » Other flange connections.
- » Higher pressure rating DN 50-300.
- » Different types of actuators.
- » Rising stem.
- » Locking device.



## Material

Component	Material	EN Material Number
Valve body	Cast iron	JL1040
Disc	Stainless steel	1.4301
Stem	Stainless steel	1.4016
Stem bushing	Bronze	
Seat	NBR	
Packing	St, PTFE impregnated synthetic fiber	
Corrosion protection	Epoxy blue RAL 5015	

# Knife Gate Valve VM2002P

cast iron | DN 50-800 | PN 10/2 | wafer type



The technical design of the specified product here may be subject to change without notice

## Technical Data

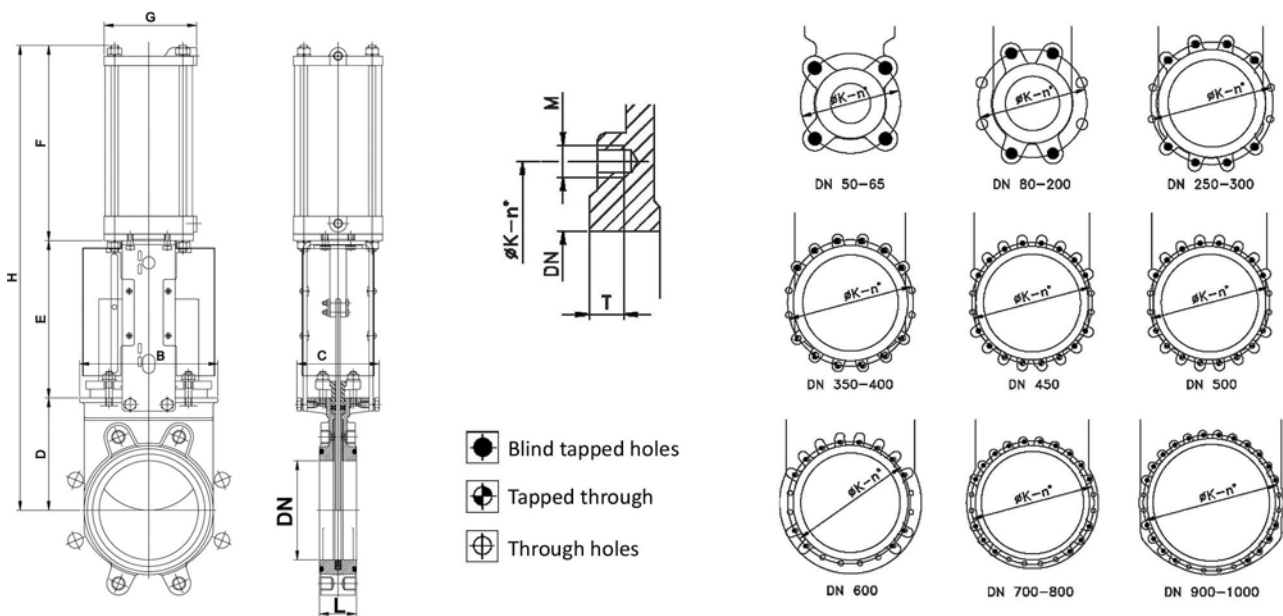
DN	PN	PN connected flange	Max temperature	Kv-value m <sup>3</sup> /h
50	10	10	+70°C	245
65	10	10	+70°C	350
80	10	10	+70°C	525
100	10	10	+70°C	948
125	10	10	+70°C	1495
150	10	10	+70°C	2176
200	10	10	+70°C	3923
250	10	10	+70°C	5822
300	6	10	+70°C	8563
350	6	10	+70°C	10942
400	6	10	+70°C	14489
450	5	10	+70°C	1854
500	4	10	+70°C	23096
600	4	10	+70°C	33096
700	2	10	+70°C	41732
800	2	10	+70°C	53284

# Knife Gate Valve VM2002P

cast iron | DN 50-800 | PN 10/2 | wafer type



The technical design of the specified product here may be subject to change without notice



## Dimensions (mm) and Weight

DN	L	B	C	D	E	F	G	H	K	n°	M	T				Weight (kg)
50	43	113	124	105	129	178	115	412	125	4	M-16	10	4	0	0	9
65	46	128	124	115	146	193	115	454	145	4	M-16	10	4	0	0	10
80	46	143	124	124	162	211	115	497	160	8	M-16	12	4	0	4	11
100	52	162	124	140	187	231	115	558	180	8	M-16	12	4	0	4	13.5
125	56	181	124	150	211	271	140	632	210	8	M-16	14	4	0	4	19
150	56	209	124	170	237	296	140	703	240	8	M-20	14	4	0	4	22
200	60	263	142	205	309	358	175	872	295	8	M-20	14	4	0	4	47
250	68	315	142	250	364	428	220	1042	350	12	M-20	18	8	0	4	58
300	78	370	142	290	414	478	220	1182	400	12	M-20	21	8	0	4	84
350	78	420	197	325	500	549	277	1374	460	16	M-20	21	6	6	4	130
400	102	478	197	360	550	599	277	1509	515	16	M-24	28	6	6	4	181
450	114	530	201	410	598	680	382	1688	565	20	M-24	30	12	4	4	235
500	127	584	20	450	658	730	382	1838	620	20	M-24	40	8	8	4	302
600	110	762	201	510	758	830	382	2098	725	20	M-27	26	12	0	8	315
700	110	890	398	601	875	985	444	2461	840	24	M-27	20	16	0	8	480
800	110	1012	320	695	974	1035	444	2704	950	24	M-30	20	16	0	8	585

# Knife Gate Valve VM2002P

cast iron | DN 50-800 | PN 10/2 | wafer type



The technical design of the specified product here may be subject to change without notice

## Markings

The valve is marked with DN, PN, and producer.

## Mounting

It is very important to ensure that the mounting flanges are absolute parallel and that the assembly tightens up professionally in order to avoid pipe tension or other forces that might influence the valve function.

## Maintenance

The valve is maintenance free.

## Order Information

DN	VM-Article Number
50	2002P-050
65	2002P-065
80	2002P-080
100	2002P-100
125	2002P-125
150	2002P-150
200	2002P-200
250	2002P-250
300	2002P-300
350	2002P-350
400	2002P-400
450	2002P-450
500	2002P-500
600	2002P-600
700	2002P-700
800	2002P-800