

# Piston Valve VM 1712

steel | DN 15-200 | PN 40 | flange



## General

- » Piston valve for hot water, steam, heat transfer medium, and dry gas applications. Excellent as by-pass control valves
- » Unique sealing system. The sealing element is formed by two elastic valve rings enveloping a stainless steel piston. The upper valve ring seals to the outside, the lower ring seals across the port. Due to the large piston skirt the sealing effect is optimal.
- » Face-to-face design according to EN 558-1 GR1.
- » Flanges according to EN 1092-1 PN 40.
- » A number of certificates are available.

## Options

- » Cast iron or stainless steel.
- » Female threaded or butt welded ends DN 15-50.
- » Valve rings in KX/PTFE or pure PTFE.
- » Fire-Safe.



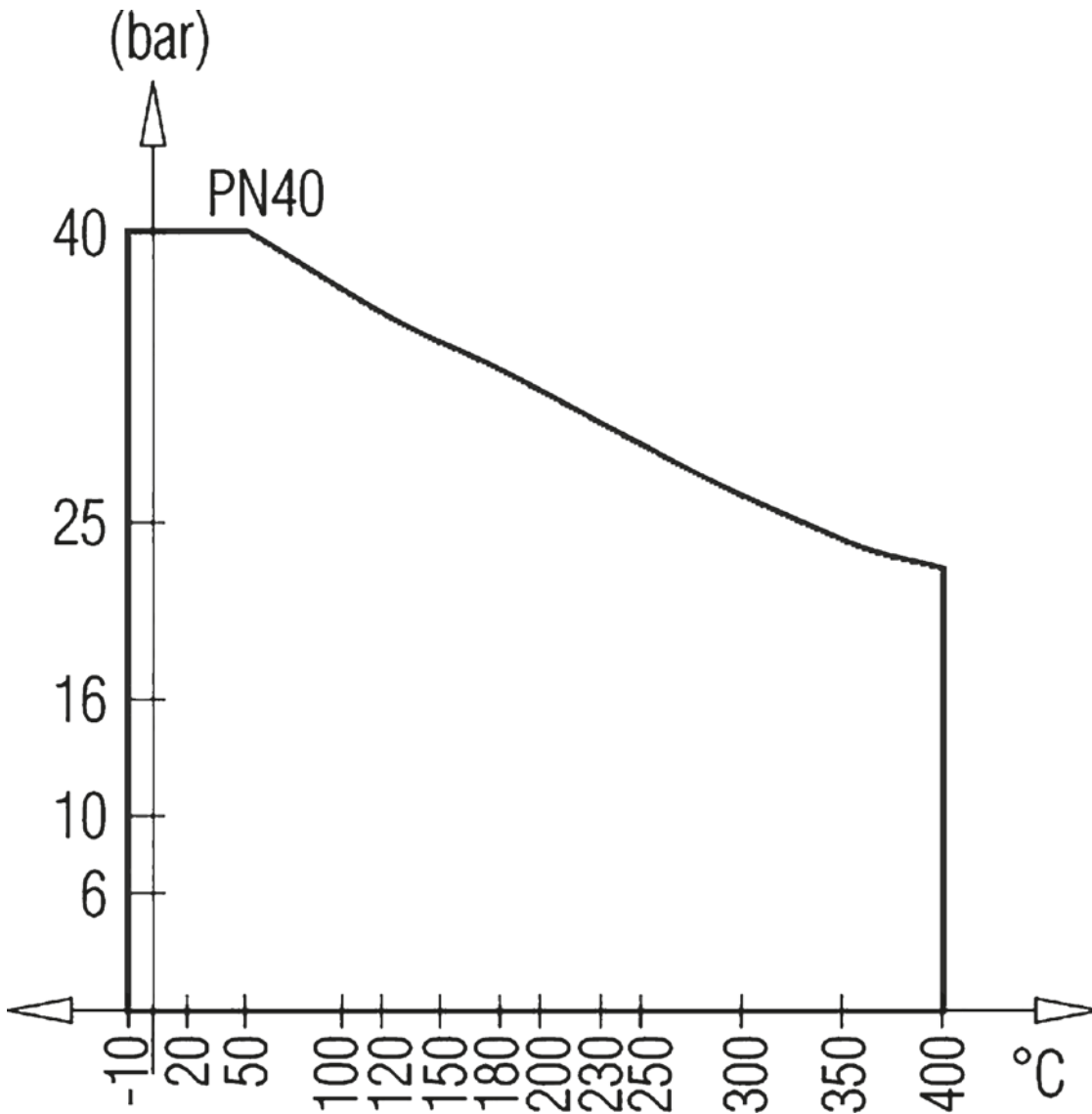
## Technical Data

Dimension DN	15	20	25	32	40	50	65	80	100	125	150	200
Pressure rating PN	40	40	40	40	40	40	40	40	40	40	40	40
Min. temperature °C	-10	-10	-10	-10	-10	-10	-10	-10	-10	-10	-10	-10
Max. temperature °C	+400	+400	+400	+400	+400	+400	+400	+400	+400	+400	+400	+400
Kv-value m <sup>3</sup> /h	4	8	12	20	32	50	69	104	163	233	335	582

Materials	DN 15-50	DN 65-200
Body	steel EN 1.0619	steel EN 1.0619
Bonnet	steel EN 1.0619	steel EN 1.0619
Piston	stainless steel EN 1.4104	stainless steel EN 1.4086
Stem	stainless steel EN 1.4021	stainless steel EN 1.4021
Lantern bush	sint-C10	cast iron
Valve ring	KX-GT (graphite)	KX-GT (graphite)
Handwheel	steel EN 1.0402	steel EN 1.0402
OT valve ring	-	graphite-L
Stuffing box ring	-	KX-GT (graphite)

The technical design of the specified product here may be subject to change without notice — datasheet updated December 6, 2012

## Pressure/Temperature Diagram



## Markings

The valve is marked with DN, PN, materials, type and flow direction arrow.

## Mounting and Maintenance

Optional. Note the flow direction arrow.

The valve is maintenance free. It is recommended that the valve is exercised regularly for best function.

## Order Information

Piston valve VM 1712 in steel, DN....., PN 40 in flanged design.

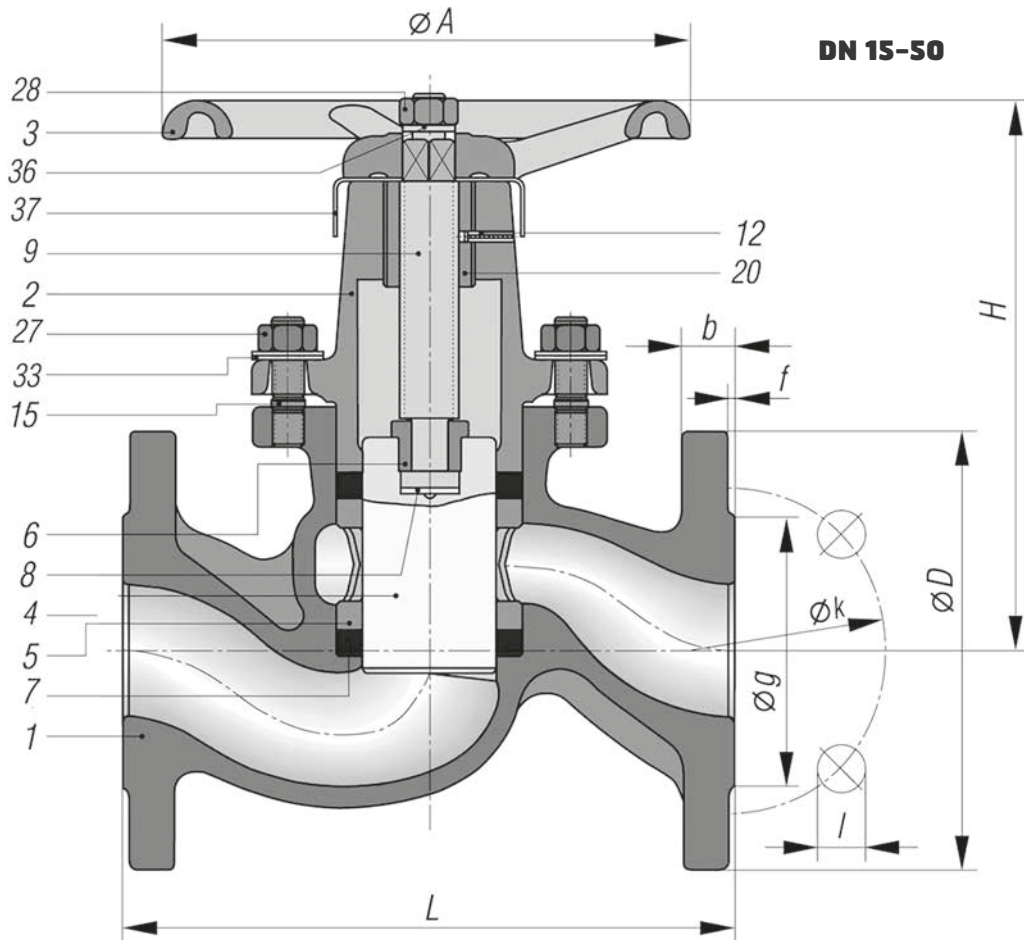
# Piston Valve VM 1712

steel | DN15-200 | PN 40 | flange



## Dimensions [mm] and Weight

DN	15	20	25	32	40	50
L	130	150	160	180	200	230
H	105	120	139	156	186	211
Hub	23	28	33	37	44	51
A	100	120	140	160	180	200
D	95	105	115	140	150	165
b	16	18	18	18	18	20
g	45	58	68	78	88	102
f	2	2	2	2	2	2
No of holes	4	4	4	4	4	4
l	14	14	14	18	18	18
k	65	75	85	100	110	125
Weight [kg]	2,7	4,6	5,9	9,1	11,4	16,3



## Details

- |    |                        |
|----|------------------------|
| 1  | Body                   |
| 2  | Bonnet                 |
| 3  | Handwheel              |
| 4  | Piston                 |
| 5  | Lantern bush DN 40-200 |
| 6  | Stem nut               |
| 7  | Valve ring 2pc         |
| 8  | Tension pin DN 40-200  |
| 9  | Stem                   |
| 12 | Disc                   |
| 15 | Stud bolt              |
| 20 | Threaded bush          |
| 27 | Bonnet nut             |
| 28 | Hexagon nut            |
| 33 | Belleville washer      |
| 36 | Lock washer            |
| 37 | Type plate             |

The technical design of the specified product here may be subject to change without notice — datasheet updated December 6, 2012

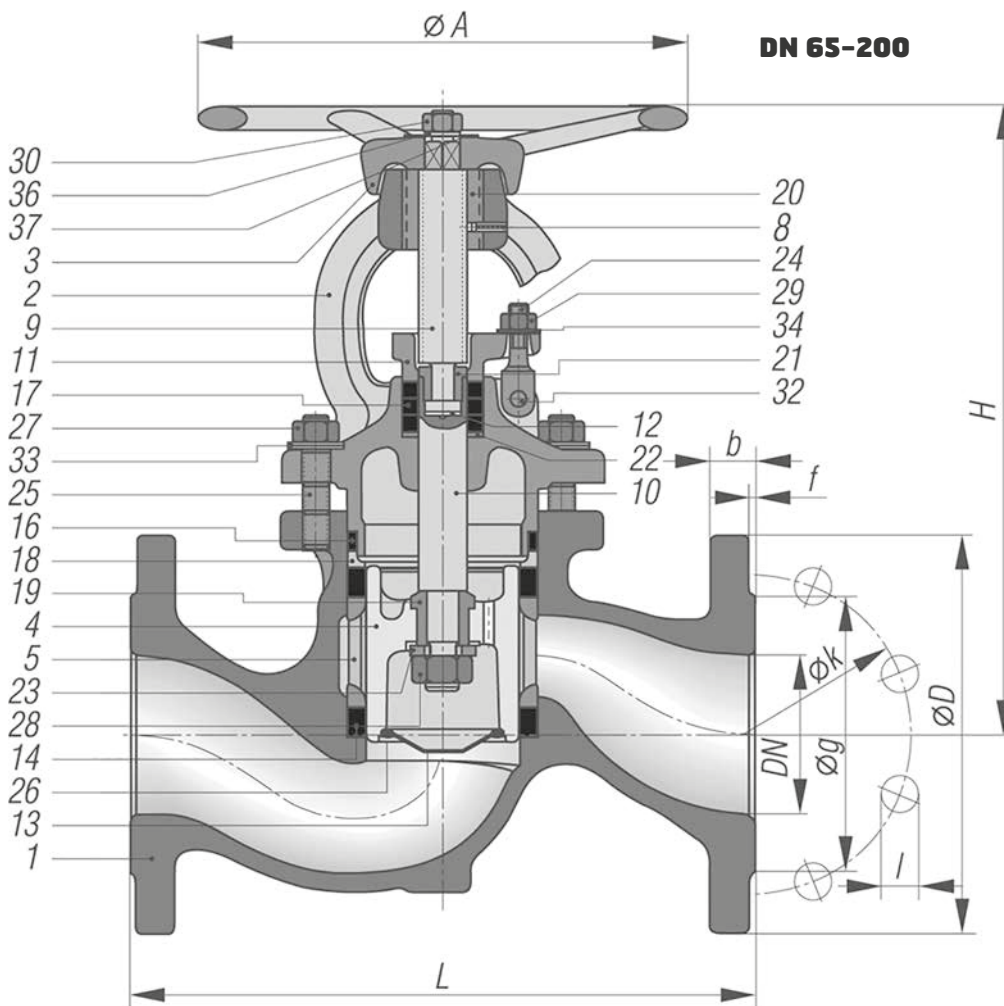
# Piston Valve VM 1712

steel | DN15-200 | PN 40 | flange



## Dimensions [mm] and Weight

DN	65	80	100	125	150	200
L	290	310	350	400	480	600
H	306	327	375	447	477	561
Hub	49	59	63	83	93	118
A	250	250	300	320	320	400
D	185	200	235	270	300	375
b	22	24	24	26	28	34
g	122	138	162	188	218	285
f	2	2	2	2	2	2
No of holes	8	8	8	8	8	12
l	18	18	22	26	26	30
k	145	160	190	220	250	320
Weight [kg]	25,0	31,8	47,8	75,8	107,5	180,0



## Details

- |    |                        |
|----|------------------------|
| 1  | Body                   |
| 2  | Bonnet                 |
| 3  | Handwheel              |
| 4  | Piston                 |
| 5  | Lantern bush DN 40-200 |
| 8  | Tension pin DN 40-200  |
| 9  | Stem                   |
| 10 | Piston shaft           |
| 11 | Gland retainer         |
| 12 | Disc                   |
| 13 | Piston nose cone       |
| 14 | Valve ring 2pc         |
| 16 | OT valve ring          |
| 17 | Stuffing box ring 3 pc |
| 18 | Thrust piece           |
| 19 | Lock washer            |
| 20 | Threaded bush          |
| 21 | Split nut              |
| 22 | Washer                 |
| 23 | Disc                   |
| 24 | Swing bolt             |
| 25 | Stud bolt              |
| 26 | Securing ring          |
| 27 | Bonnet nut             |
| 28 | Hexagon nut            |
| 29 | Bonnet nut             |
| 30 | Bonnet nut             |
| 32 | Pin                    |
| 33 | Belleville washer      |
| 34 | Belleville washer      |
| 36 | Lock washer            |
| 37 | Type plate             |

The technical design of the specified product here may be subject to change without notice — datasheet updated December 6, 2012