

Knife Gate Valve VM2002

cast iron | DN 50-1000 | PN 10/2 | wafer type



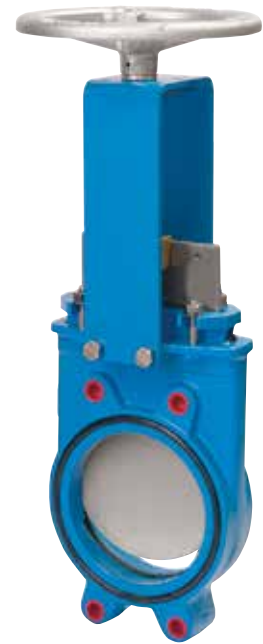
The technical design of the specified product here may be subject to change without notice

General

- » Knife gate valve for water, sewage water, sludge etc.
- » Non-rising stem.
- » Soft sealing.
- » Full port design for greater flow capacity and minimal pressure drop.
- » The disc guides on full stroke ensure bidirectional shut-off.
- » Inside part of the body is machined, allowing more control in the different dimension tolerances.
- » Exchangeable seat.
- » Face-to-face design according to EN 558-1 Series 20 up to DN 500.

Option

- » DN 1200.
- » Body in stainless steel, VM2005.
- » Disc and/or stem in stainless steel 1.4401 or 1.4571.
- » Seat ring in EPDM.
- » Other flange connections.
- » Higher pressure rating DN 50-300.
- » Different types of actuators.
- » Rising stem.
- » Locking device.



Material

Component	Material	EN Material Number
Valve body	Cast iron	JL1040
Disc	Stainless steel	1.4301
Stem	Stainless steel	1.4016
Stem bushing	Bronze	
Seat	NBR	
Packing	St, PTFE impregnated synthetic fiber	
Corrosion protection	Epoxy blue RAL 5015	

Knife Gate Valve VM2002

cast iron | DN 50-1000 | PN 10/2 | wafer type

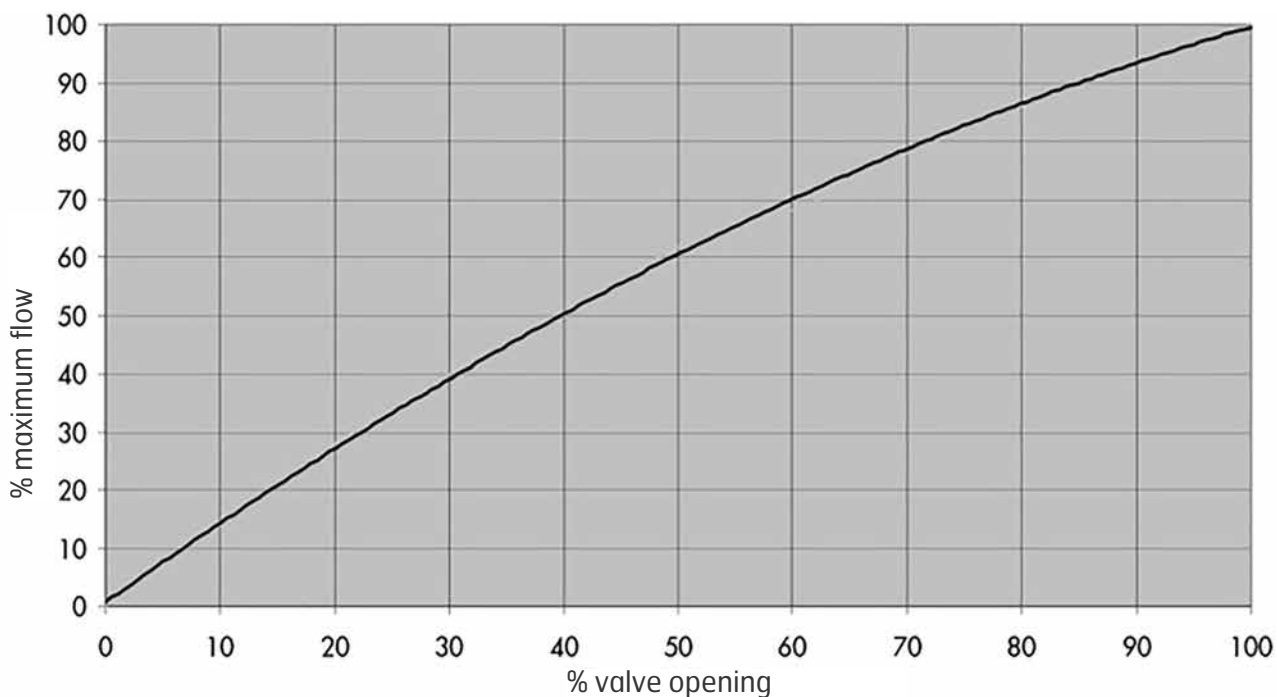


The technical design of the specified product here may be subject to change without notice

Technical Data

DN	PN	PN connected flange	Max temperature	Kv-value m ³ /h
50	10	10	+70°C	245
65	10	10	+70°C	350
80	10	10	+70°C	525
100	10	10	+70°C	948
125	10	10	+70°C	1495
150	10	10	+70°C	2176
200	10	10	+70°C	3923
250	10	10	+70°C	5822
300	6	10	+70°C	8563
350	6	10	+70°C	10942
400	6	10	+70°C	14489
450	5	10	+70°C	1854
500	4	10	+70°C	23096
600	4	10	+70°C	33096
700	2	10	+70°C	41732
800	2	10	+70°C	53284
900	2	10	+70°C	77383
1000	2	10	+70°C	115000

Regulating Curve

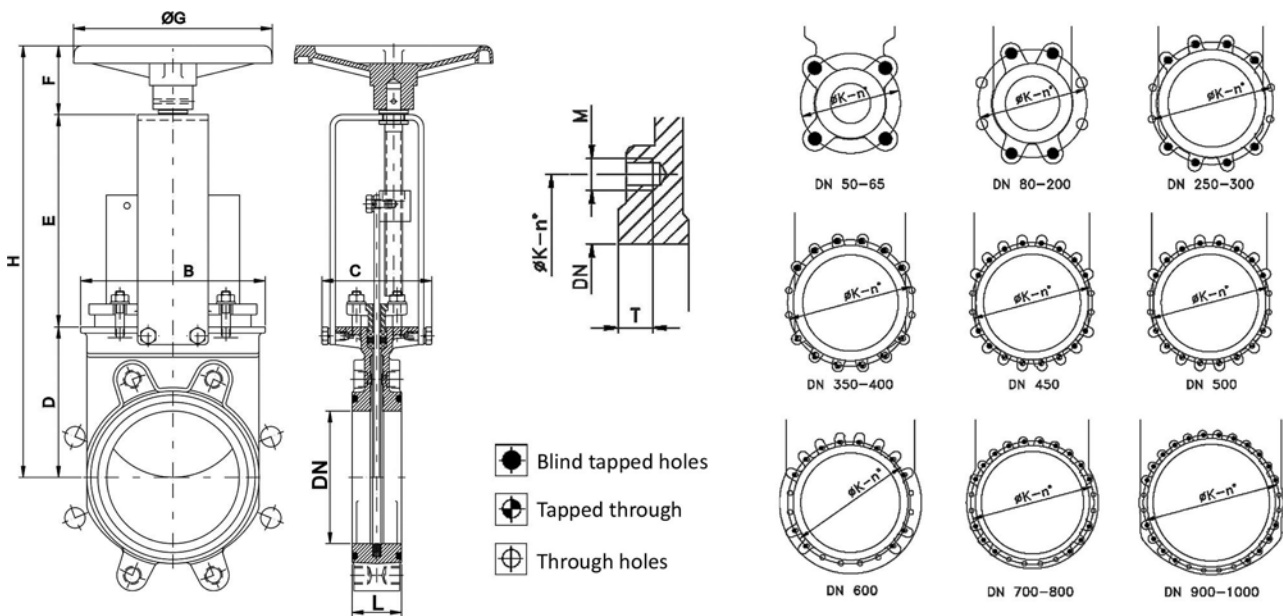


Knife Gate Valve VM2002

cast iron | DN 50-1000 | PN 10/2 | wafer type



The technical design of the specified product here may be subject to change without notice



Dimensions (mm) and Weight

DN	L	B	C	D	E	F	G	H	K	n°	M	T				Weight (kg)
50	43	113	124	105	144	63	225	312	125	4	M-16	10	4	0	0	8
65	46	128	124	115	161	63	225	339	145	4	M-16	10	4	0	0	9
80	46	143	124	124	177	63	225	364	160	8	M-16	12	4	0	4	10
100	52	162	124	140	202	63	225	405	180	8	M-16	12	4	0	4	12
125	56	181	124	150	226	63	225	439	210	8	M-16	14	4	0	4	15
150	56	209	124	170	252	63	225	485	240	8	M-20	14	4	0	4	17
200	60	263	142	205	317	73	310	595	295	8	M-20	14	4	0	4	30
250	68	315	142	250	372	73	310	695	350	12	M-20	18	8	0	4	42
300	78	370	142	290	422	73	310	785	400	12	M-20	21	8	0	4	60
350	78	420	197	325	509	98	410	932	460	16	M-20	21	6	6	4	90
400	102	478	197	360	559	98	410	1017	515	16	M-24	28	6	6	4	140
450	114	530	201	410	611	98	550	1119	565	20	M-24	30	12	4	4	185
500	127	584	20	450	671	98	550	1219	620	20	M-24	40	8	8	4	204
600	110	762	201	510	771	98	550	1379	725	20	M-27	26	12	0	8	230
700	110	890	398	601	979	147	800	1727	840	24	M-27	20	16	0	8	380
800	110	1012	320	695	1076	147	800	1918	950	24	M-30	20	16	0	8	550
900	110	1112	320	795	1115	147	800	2057	1050	28	M-30	20	20	0	8	680
1000	110	1240	320	875	1220	147	800	2247	1160	28	M-30	20	20	0	8	800

Knife Gate Valve VM2002

cast iron | DN 50-1000 | PN 10/2 | wafer type



The technical design of the specified product here may be subject to change without notice

Markings

The valve is marked with DN, PN, and producer.

Mounting

It is very important to ensure that the mounting flanges are absolute parallel and that the assembly tightens up professionally in order to avoid pipe tension or other forces that might influence the valve function.

Maintenance

The valve is maintenance free.

Order Information

DN	VM-Article Number
50	2002-050
65	2002-065
80	2002-080
100	2002-100
125	2002-125
150	2002-150
200	2002-200
250	2002-250
300	2002-300
350	2002-350
400	2002-400
450	2002-450
500	2002-500
600	2002-600
700	2002-700
800	2002-800
900	2002-900
1000	2002-1000