

Butterfly Valve VM 3006

cast iron | 20-200 | PN 10 | wafer type



General

- » Ebro butterfly valve for media temperature control.
- » The valve is supplied with the mounting hole sealed and the thermometer is enclosed separately - marked to prevent confusion.
- » The patented be-metallic helix guarantees a quick reaction time during temperature changes and - due to its position in the valve disc prevents the formation of a mixed temperature between the medium and the valve body.
- » Valve body epoxy coated.
- » Face-to-face design according to EN 558 series 20, ISO 5752 series 20.
- » Flange surface design EN 1092 Form A/B.
- » Available only with hand lever, can not be automated with an actuator.



Options

- » Other materials in body, disc, shaft and liner.
- » Other flange standards.
- » Stem extension.
- » Other corrosion protection.
- » Ready to accept thermometers electronic thermo sensors (PT 100) or a system identification plate.
- » Thermometer for water from 0°C to +120°C.
- » Thermometer for water from -20°C to +40°C.

Technical Data

Dimension DN	20	25	32	40	50	65	80	100	125	150	200
Pressure rating PN	10	10	10	10	10	10	10	10	10	10	10
Min. temperature °C	-10	-10	-10	-10	-10	-10	-10	-10	-10	-10	-10
Max. temperature °C	+120	+120	+120	+120	+120	+120	+120	+120	+120	+120	+120
Kv-value m ³ /h	32	36	40	50	85	215	420	800	1010	2100	4000
Torque Nm at max PN [bar]	5	5	5	8	9	18	18	28	45	78	140

Pressure Rating Connected Flange

Dimension DN	20	25	32	40	50	65	80	100	125	150	200
Pressure rating PN	10-16*	10-16*	10-16	6-10-16	6-10-16	6-10-16	6-10-16	6-10-16	6-10-16	6-10-16	6-10-16

* PN 6 on request.

Reaction Time (sek) for Media Temperature Control

Dimension DN	20	25	32	40	50	65	80	100	125	150	200
100°C to 50°C	38	40	42	46	52	68	71	75	83	100	115
50°C to 25°C	22	26	29	31	39	48	55	69	74	79	85
0°C to 50°C	40	41	44	48	53	70	74	80	91	117	125
50°C to 75°C	28	30	32	36	45	56	67	75	80	100	105

The technical design of the specified product here may be subject to change without notice — datasheet updated June 11, 2019

Ebro Technology

The result of Ebro's highly developed technology in conjunction with precision manufacturing delivers quality in every detail and ensures safe operation. All valves are tested according to Ebro's strict requirements, industry requirements and, of course, according to the customer's specific requirements. Ebro's surface treatment is one of the industry's most famous and provides a truly long life span.

Materials

Body	cast iron EN-JL1040
Disc	stainless steel EN 1.4408
Shaft	stainless steel EN 1.4401
Seat lining	EPDM
O-ring	NBR
Bearing bush	brass MS 58
Corrosion protection	2-component epoxy coated (blue)

Markings

The valve is marked with DN, PN, producer, materials, serial number, and type according to EN 19.

Mounting

Optional, but horizontal shafts are recommended.

Maintenance

The valve is maintenance free. It is recommended that the valve is exercised regularly for best function.

Order Information

Butterfly valve VM 3006 in cast iron, DN....., PN 10 in wafer type design.

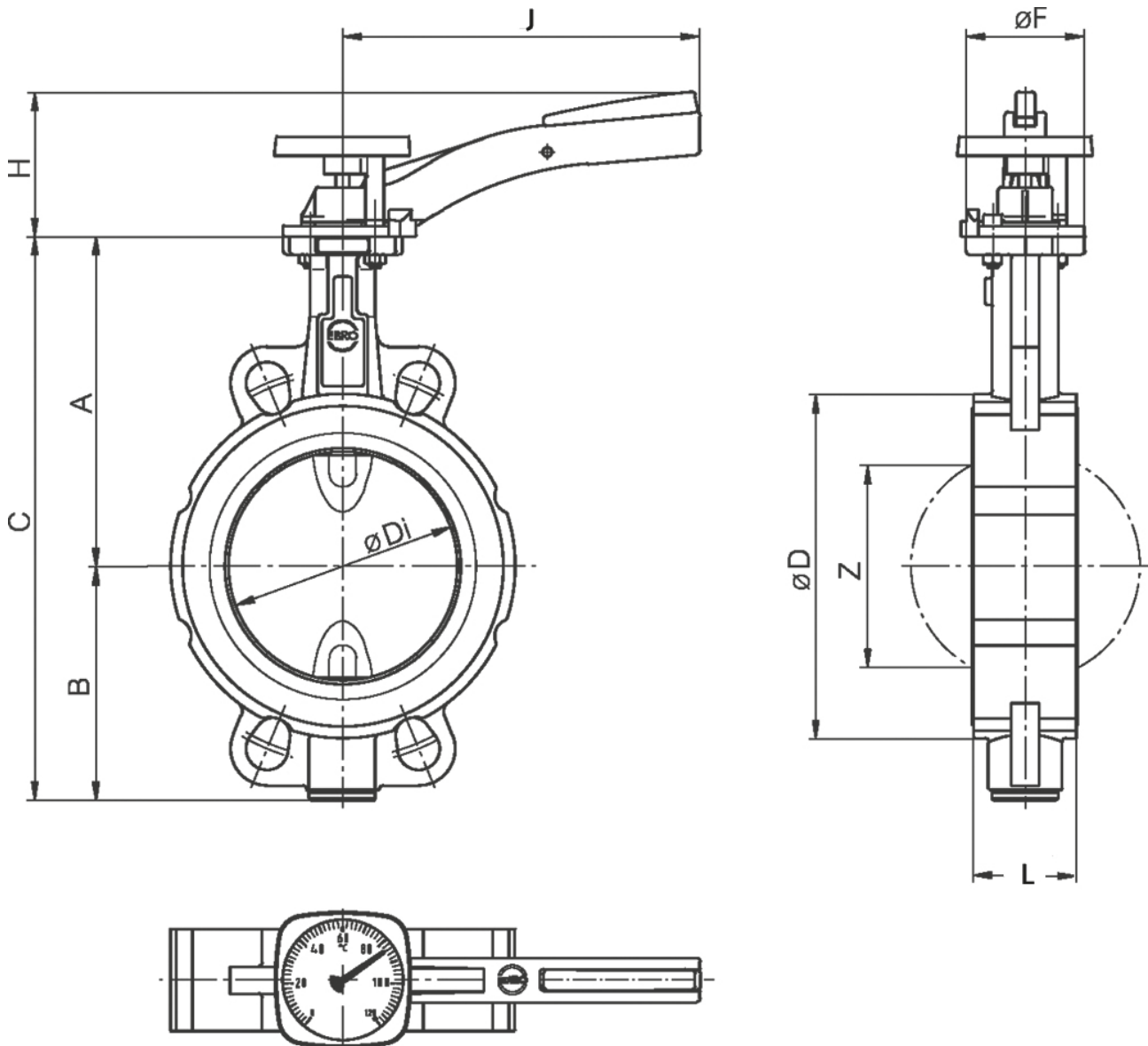
Butterfly Valve VM 3006

cast iron | 20-200 | PN 10 | wafer type



Dimensions [mm] and Weight

DN	20	25	32	40	50	65	80	100	125	150	200
L	33	33	33	33	43	46	46	52	56	56	60
A	104	104	104	113	126	134	157	167	180	203	228
B	45	45	50	66	84	93	104	115	127	150	176
C	149	149	154	179	210	227	261	282	307	353	404
D	59	63	68	80	95	115	138	158	188	212	268
Di	31,5	31,5	31,5	38	48,5	63,5	78,5	98,5	123,5	148	199
F	54	54	54	54	54	54	65	65	65	90	90
H	70	70	70	70	70	70	80	80	80	100	100
J	155	155	155	155	155	155	195	195	195	276	276
Z	-	-	-	22	25	45	65	85	111	139	190
Weight [kg]	1,5	1,5	1,6	2	2,4	3,1	4,2	5,4	7,1	10,1	13,8



The technical design of the specified product here may be subject to change without notice — datasheet updated June 11, 2019