

Strainer VM6380

red metal | DN 15-50 | PN 16 | female thread



General

- » Y-type strainer for liquids and gases.
- » Female thread according to ISO 228/1.

Options

- » DN 10, DN 80, DN 100.
- » Cast iron, VM6331.



Technical Data

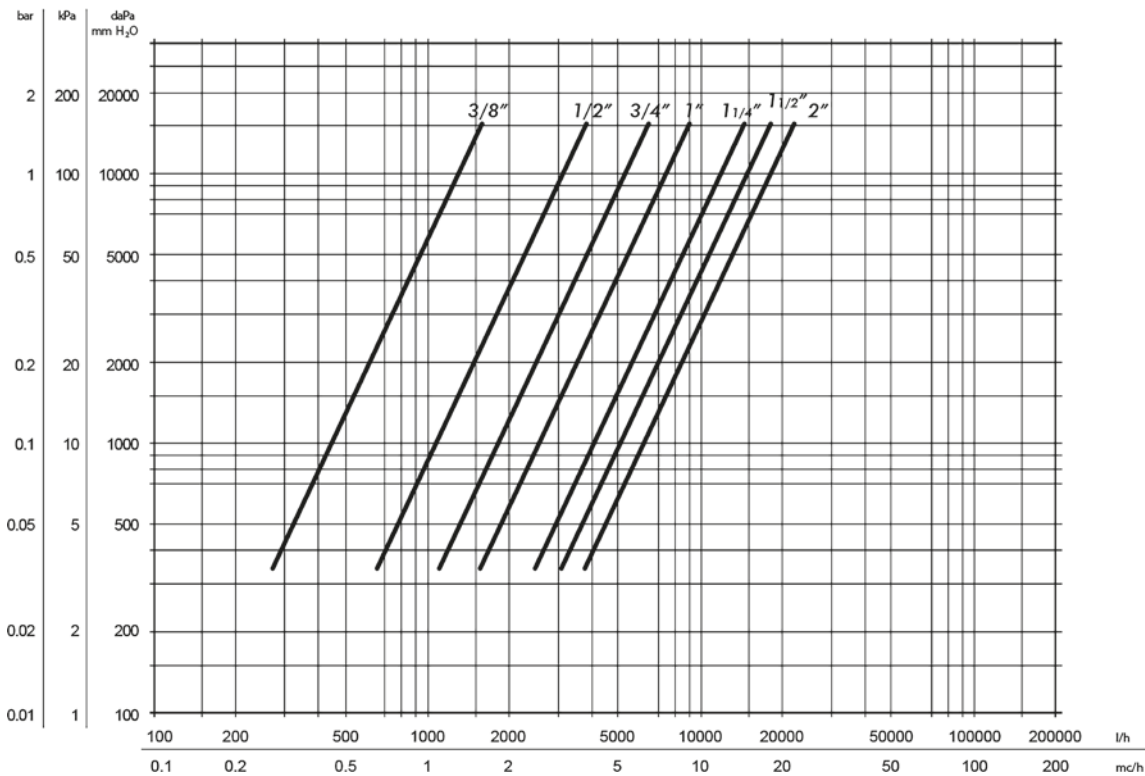
Dimension DN	15	20	25	32	40	50
Female thread inches	1/2"	3/4"	1"	1 1/4"	1 1/2"	2"
Pressure rating PN	16	16	16	16	16	16
Min. temperature ¹ °C (no frost)	0	0	0	0	0	0
Max. temperature ¹ °C	+95	+95	+95	+95	+95	+95
Kv-value m ³ /h	5,3	8,7	15,8	23,2	39,6	63,2
Mesh width mm	0,4	0,4	0,4	0,5	0,5	0,5

1. Temperatures from -20°C to +110°C acceptable at peaks (no frost).

Materials

Body	red metal CB491K
Screw plug	brass CW619N
Screen	stainless steel 1.4301
Seal	fiber

Pressure Loss Diagram



The technical design of the specified product here may be subject to change without notice — datasheet updated November 23, 2017

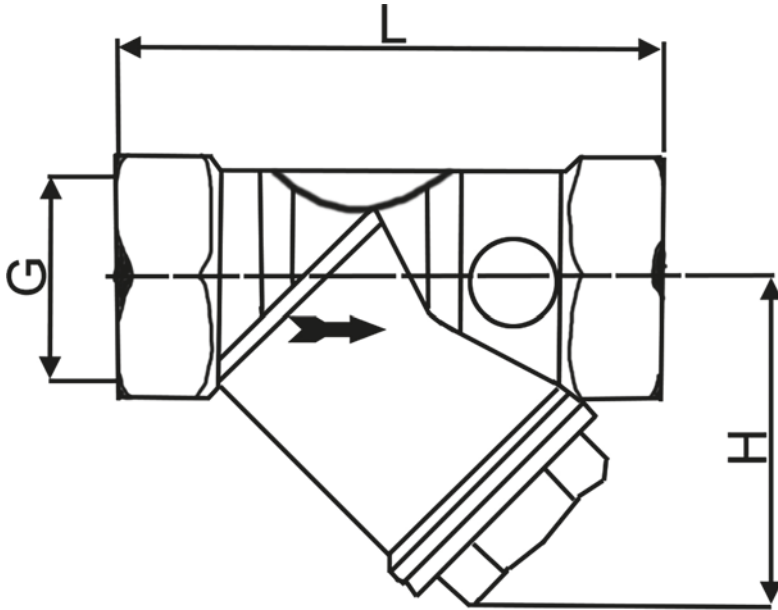
Strainer VM6380

red metal | DN 15-50 | PN 16 | female thread



Dimensions [mm] and Weight

Dimension DN	15	20	25	32	40	50
G [inches]	1/2"	3/4"	1"	1 1/4"	1 1/2"	2"
L	65	85	92	105	115	131
H	42	45	47	65	72	98
Weight [kg]	0,25	0,36	0,45	0,75	0,92	1,56



Markings

The strainer is marked with DN, PN, and flow direction arrow.

Mounting

Mount with the plug facing down, note the flow direction arrow.

Maintenance

The screen should be cleaned and changed when needed, minimum once a year.

In new installations or normally after filling in a system, it is suggested to clean the filter after the first working week.

Order Information

Strainer VM6380 in brass, DN....., PN 16 with female threads.

The technical design of the specified product here may be subject to change without notice — datasheet updated November 23, 2017