

Knife Gate Valve VM2005

stainless steel | DN 50-600 | PN 10/4 | wafer type



General

- » Knife gate valve for water, sewage water, sludge etc.
- » Non-rising stem.
- » Soft sealing.
- » Full port design for greater flow capacity and minimal pressure drop.
- » The disc guides on full stroke ensure bidirectional shutoff.
- » Inside part of the body is machined, allowing more control in the different dimension tolerances.
- » Exchangeable seat.
- » Face-to-face design according to EN558-1 series 20 up to DN 500.

Options

- » Body in cast iron or ductile iron.
- » Disc and/or stem in stainless steel 1.4571.
- » Seal in EPDM or Viton®.
- » Other flange connections.
- » Higher pressure rating DN 50-300.
- » Different types of actuators.
- » Rising stem.
- » Locking device.



Technical Data

Dimension DN	50	65	80	100	125	150	200	250	300	350	400	450	500	600
Pressure rating PN	10	10	10	10	10	10	10	10	6	6	6	5	4	4
Pressure rating PN connected flange	10	10	10	10	10	10	10	10	10	10	10	10	10	10
Max. temperature °C	+70	+70	+70	+70	+70	+70	+70	+70	+70	+70	+70	+70	+70	+70
Kv-value m ³ /h	245	350	525	948	1495	2176	3923	5822	8563	10942	14489	18554	23096	33649

Materials

Body	stainless steel 1.4408
Disc	stainless steel 1.4401
Stem	stainless steel 1.4401
Stem bushing	bronze
Seat	NBR
Packing	EPDM

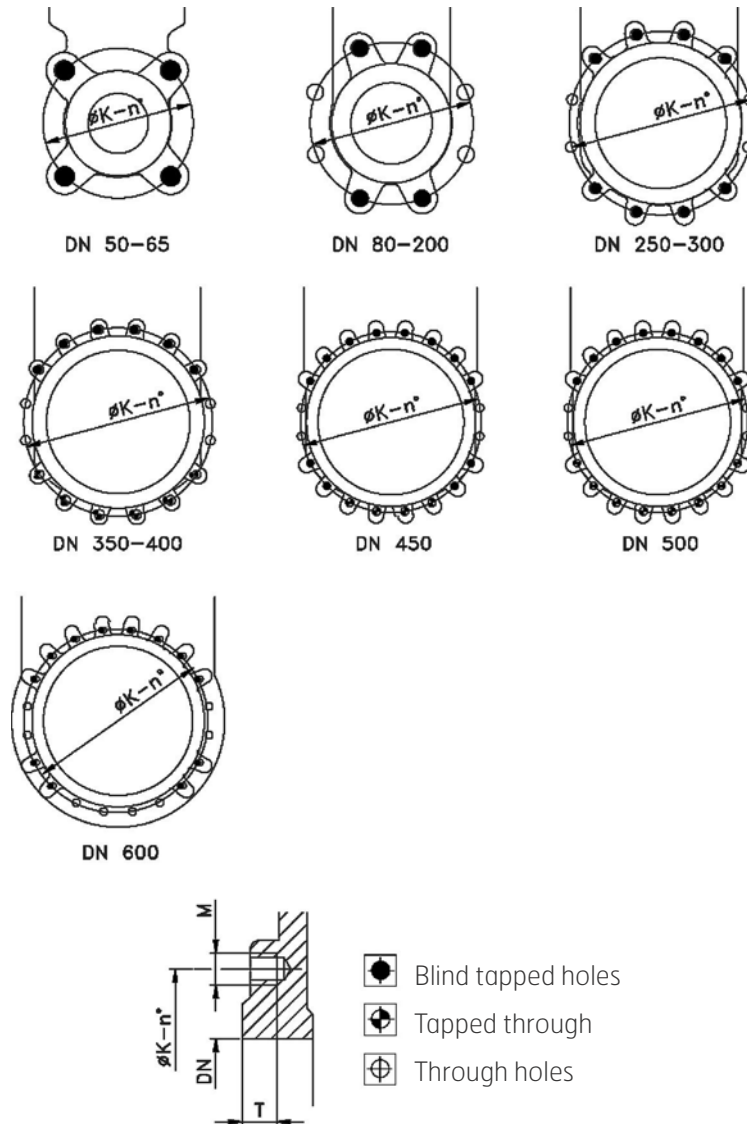
The technical design of the specified product here may be subject to change without notice — datasheet updated February 24, 2016

Knife Gate Valve VM2005

stainless steel | DN 50-600 | PN 10/4 | wafer type



Flange and Bolting Details



Dimensions [mm]

DN	50	65	80	100	125	150	200	250	300	350	400	450	500	600
K	125	145	160	180	210	240	295	350	400	460	515	565	620	725
n°	4	4	8	8	8	8	8	12	12	16	16	20	20	20
M	M-16	M-16	M-16	M-16	M-16	M-20	M-20	M-20	M-20	M-20	M-24	M-24	M-24	M-27
T	10	10	12	12	14	14	14	18	21	21	28	30	40	26
	4	4	4	4	4	4	4	8	8	6	6	12	8	12
	0	0	0	0	0	0	0	0	0	6	6	4	8	0
	0	0	4	4	4	4	4	4	4	4	4	4	4	8

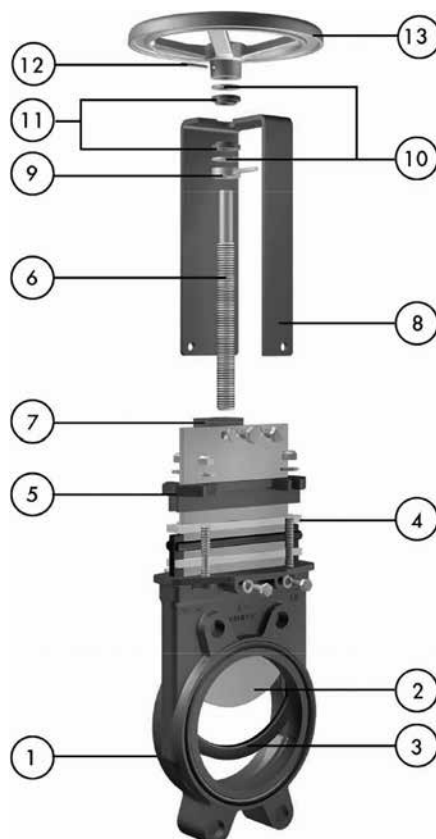
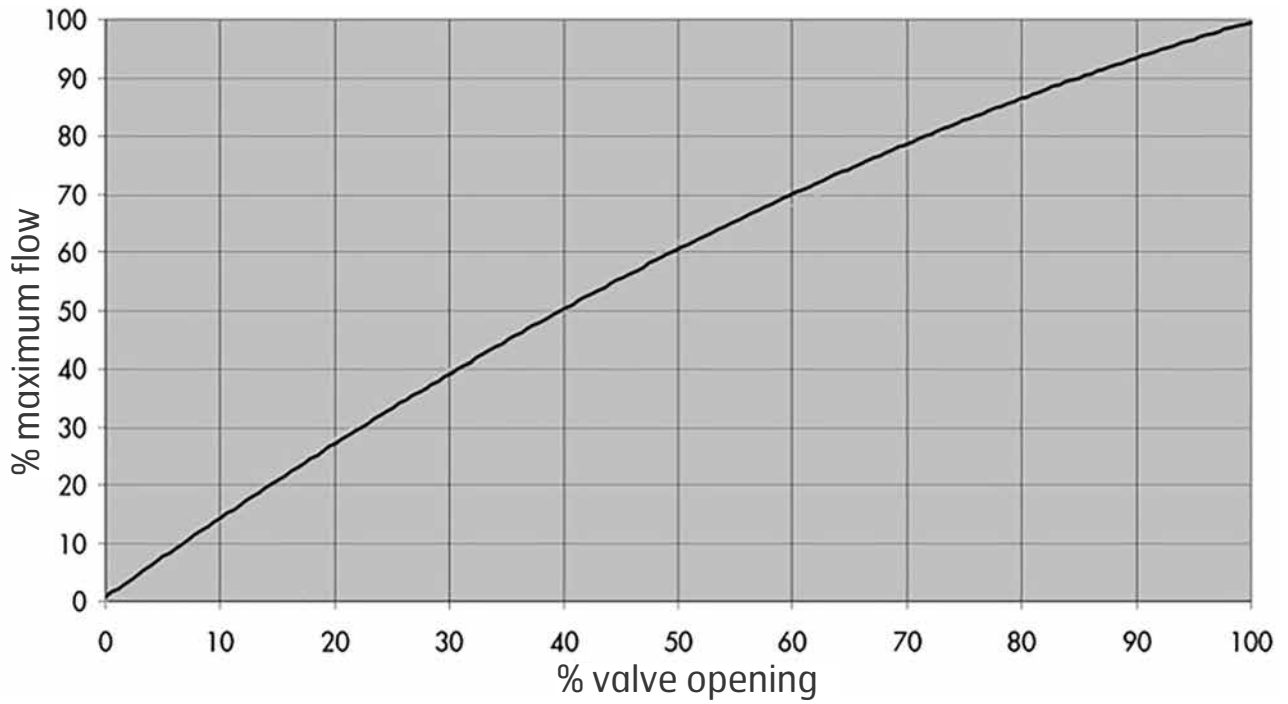
The technical design of the specified product here may be subject to change without notice — datasheet updated February 24, 2016

Knife Gate Valve VM2005

stainless steel | DN 50-600 | PN 10/4 | wafer type



Regulating Curve



Details

- 1 Body
- 2 Disc
- 3 Seal
- 4 Packing
- 5 Gland
- 6 Stem
- 7 Nut
- 8 Yoke
- 9 Axial fixing bush
- 10 Friction washer
- 11 Stem bushing
- 12 Spring pin
- 13 Handwheel

The technical design of the specified product here may be subject to change without notice — datasheet updated February 24, 2016

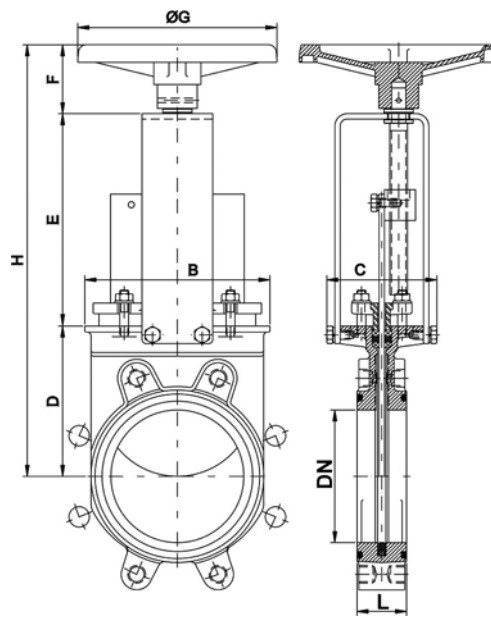
Knife Gate Valve VM2005

stainless steel | DN 50-600 | PN 10/4 | wafer type



Dimensions [mm] and Weight

DN	50	65	80	100	125	150	200	250	300	350	400	450	500	600
L	43	46	46	52	56	56	60	68	78	78	102	114	127	110
B	113	128	143	162	181	209	263	315	370	420	478	530	584	762
C	124	124	124	124	124	124	142	142	142	197	197	201	201	201
D	105	115	124	140	150	170	205	250	290	325	360	410	450	510
E	144	161	177	202	226	252	317	372	422	509	559	611	671	771
F	63	63	63	63	63	63	73	73	73	98	98	98	98	98
G	225	225	225	225	225	225	310	310	310	410	410	550	550	550
H	312	339	364	405	439	485	595	695	785	932	1017	1119	1219	1379
Weight [kg]	8	9	10	12	15	17	30	42	60	90	140	185	204	230



Markings

The valve is marked with DN, PN, and producer.

Mounting

It is very important to ensure that the mounting flanges are absolute parallel and that the assembly tightens up professionally in order to avoid pipe tension or other forces that might influence the valve function.

Maintenance

The valve is maintenance free.

Order Information

Butterfly valve VM2005 in stainless steel, DN....., PN..... in wafer type design.

The technical design of the specified product here may be subject to change without notice — datasheet updated February 24, 2016