

# Change Over Valve VM1833

steel | DN 15-250 | PN 40 | flange



## General

- » 3-way change over valve for liquids, steam, and gases.
- » Raising stem and handwheel.
- » Face-to-face design according to DIN EN 558.
- » Flange according to DIN EN 1092-1/-2.
- » Leakage proof according to EN 12266-1, Rate A.

## Options

- » Other materials and pressure ratings.
- » Chain wheel.
- » Flange according to other standards.
- » Lockable handwheel.
- » Automated with pneumatic actuator or electrical actuator.
- » Position indicator.
- » Test TA-Luft.



## Technical Data

Dimension DN	15	20	25	32	40	50	65	80	100	125	150	200	250
Pressure rating PN	40	40	40	40	40	40	40	40	40	40	40	40	40
Kvs-value → (straight) m <sup>3</sup> /h	5,9	7,6	9,5	18,8	19,4	37,4	79,5	116	176	256	356	630	1000
Kvs-value ↴ (angle) m <sup>3</sup> /h	9,3	17,9	20,2	29,3	40,1	68,2	107	155	224	395	520	700	1100

## Max Working Pressure Bar (e) at Temperature

Temperature °C	-60°C to <-10°C	-10°C to +120°C	+150°C	+200°C	+250°C	+300°C	+350°C	+400°C	+450°C
Working pressure bar (e)	30	40	38,1	35	32	28	25,7	23,8	13,1

## Max Differential Pressure dP

DN	125	150	200	250
Differential pressure dP [bar]	25	21	14	9

## Materials

Body	steel 1.0619+N
Bonnet	steel 1.0619+N
Stem	stainless steel 1.4021 + QT (burnished)
Seat ring DN 15-50	stainless steel 1.4021 + QT
Seat ring DN 65-250	stainless steel 1.4551
Plug	stainless steel 1.4021 + QT
Seal	graphite
Handwheel	cast iron JL1040, epoxy painted FE 13

The technical design of the specified product here may be subject to change without notice — datasheet updated April 14, 2010

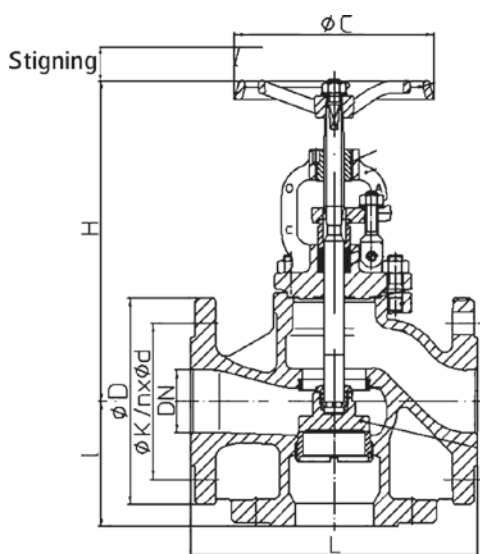
# Change Over Valve VM1833

steel | DN 15-250 | PN 40 | flange

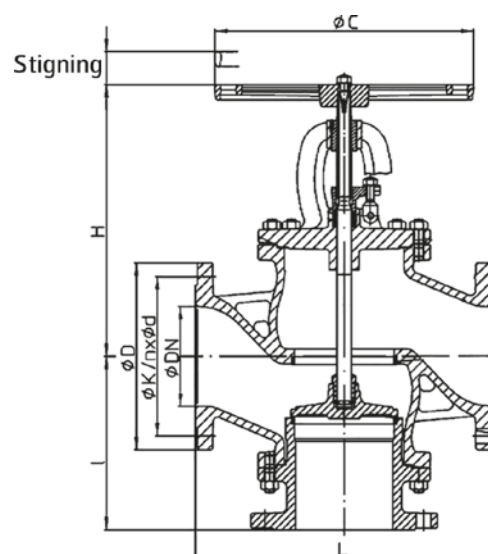


## Dimensions [mm] and Weight

DN	15	20	25	32	40	50	65	80	100	125	150	200	250
L	130	150	160	180	200	230	290	310	350	400	480	600	730
I	65	70	75	80	90	100	120	130	150	200	210	350	440
H	209	209	220	242	263	257	320	351	400	458	528	562	665
Ø C	140	140	140	140	160	160	180	200	225	250	400	520	520
H3 travel	20	20	20	20	20	20	30	30	30	50	50	90	90
Ø D	95	105	115	140	150	165	185	200	235	270	300	375	450
Ø K	65	75	85	100	110	125	145	160	190	220	250	320	385
n x Ød	4x14	4x14	4x14	4x18	4x18	4x18	8x18	8x18	8x22	8x26	8x26	12x30	12x33
Weight[kg]	6,1	7,4	8,5	11,8	15,8	19,4	28,2	39,8	58,1	90,6	133,5	177	338



DN 15-150

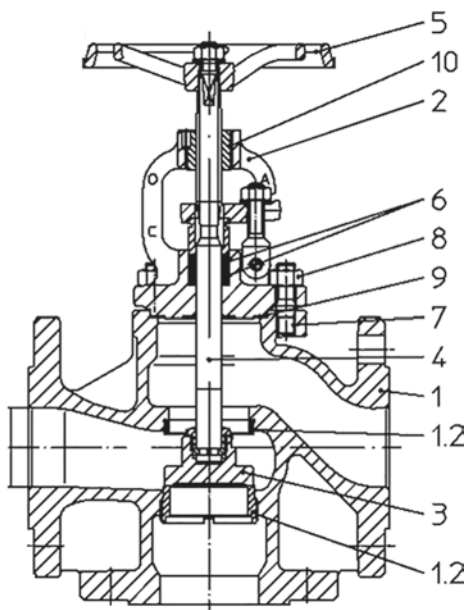


DN 200-250

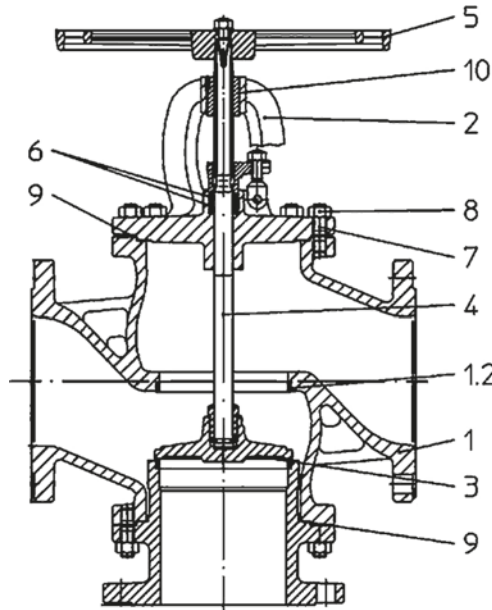
The technical design of the specified product here may be subject to change without notice — datasheet updated April 14, 2010

# Change Over Valve VM1833

steel | DN 15-250 | PN 40 | flange



DN 15-150



DN 200-250

## Details

1	Body
1.2	Seat ring
2	Bonnet
3	Plug
4	Stem
5	Handwheel
6	Seal
7	Stud
8	Hexagon nut
9	Seal
10	Insert nuts

## Markings

The valve is marked with DN, PN, materials, type no, CE (DN 32-250), production year, and flow direction arrow.

## Mounting

Optional, note the flow direction arrow.

## Maintenance

The valve is maintenance free. It is recommended that the valve is exercised regularly for best function.

## Order Information

Change over valve VM1833 in steel, DN....., PN 40 in flanged design.

The technical design of the specified product here may be subject to change without notice — datasheet updated April 14, 2010