

General

- » Quarter turn electric control actuator.
- » Small in size and maintenance free.
- » Body in die cast aluminum.
- » Self locking worm gear.
- » Mechanical position indication.
- » Manual override with separate crank handle.
- » Input 4-20 mA, 1-5VDC.
- » Output 4-20 mA.
- » Resolution better than 1:250.
- » Reversible motor with internal thermal protection (auto reset).
- » Advanced encapsulated electronics for stable positioning.
- » Mechanical switch to decide whether the valve should close, open, or stay position at signal failure.
- » Optional mounting position.



Options

- » Other feeding voltages | on/off | mechanical torque limitation | input signal 4-12 mA, 12-20 mA, 0-10VDC

Technical Data

VMnumber	Operating time 0-90°	Torque Nm	Rated current ¹ A	Power consumption	Voltage	Frequency	ED
VM9293	15sek	49	0,3	69 W	230VAC	50 Hz	100% ED
VM9293	30 sec	98	0,3	69 W	230VAC	50 Hz	100% ED
VM9293	30 sec	98	1,8	43W	24VAC	50 Hz	100% ED
VM9294	15 sec	196	0,7	161 W	230VAC	50 Hz	80% ED
VM9295	30 sec	392	0,7	161 W	230VAC	50 Hz	80% ED
VM9296	15 sec	490	1,1	253 W	230VAC	50 Hz	80% ED
VM9297	30 sec	980	1,3	299 W	230VAC	50 Hz	80% ED
VM9298	45 sec	1470	1,6	368 W	230VAC	50 Hz	80% ED
VM9299	60 sec	1960	1,6	368 W	230VAC	50 Hz	80% ED

Protection class Water tightness according to NEMA 4,4X (corresponds approximately to IP66)+

Operating temperature -25°C to +55°C

Electrical protection G ½" coil protected

Stop Limit switches for open and closed
Mechanical stop for manual override

2 non auxiliary switches to operate the motor

Limit switches 2 auxiliary switches open/close, not to operate the motor
max load 250VAC/11A (VM9293-9295), 250VAC/21A (VM9296-9299)

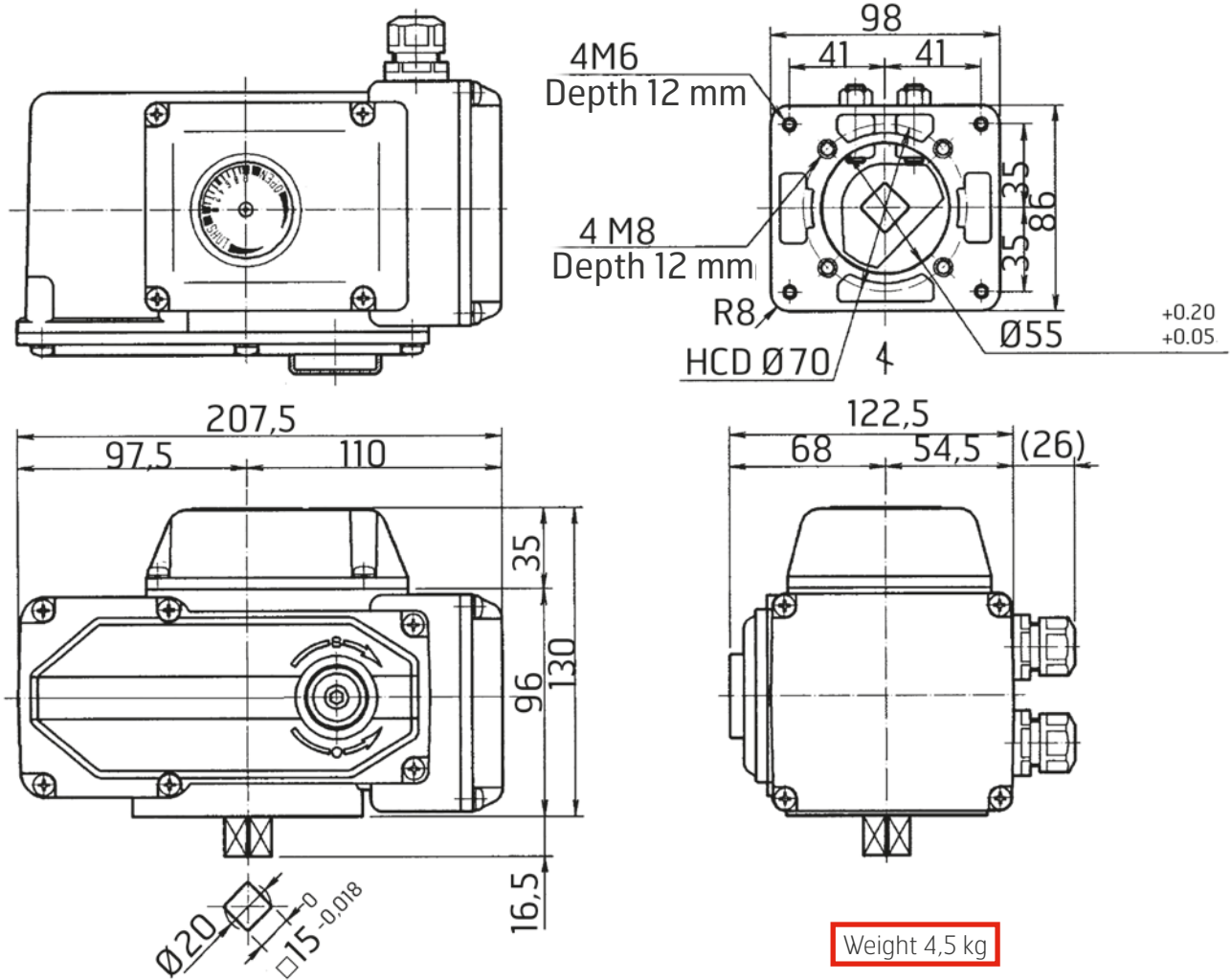
1. Start current 3 x rated current below 0,1sek or less, in principal unchanged power consumption.

Electric Control Actuator VM9293-VM9299

for 90° turning valves

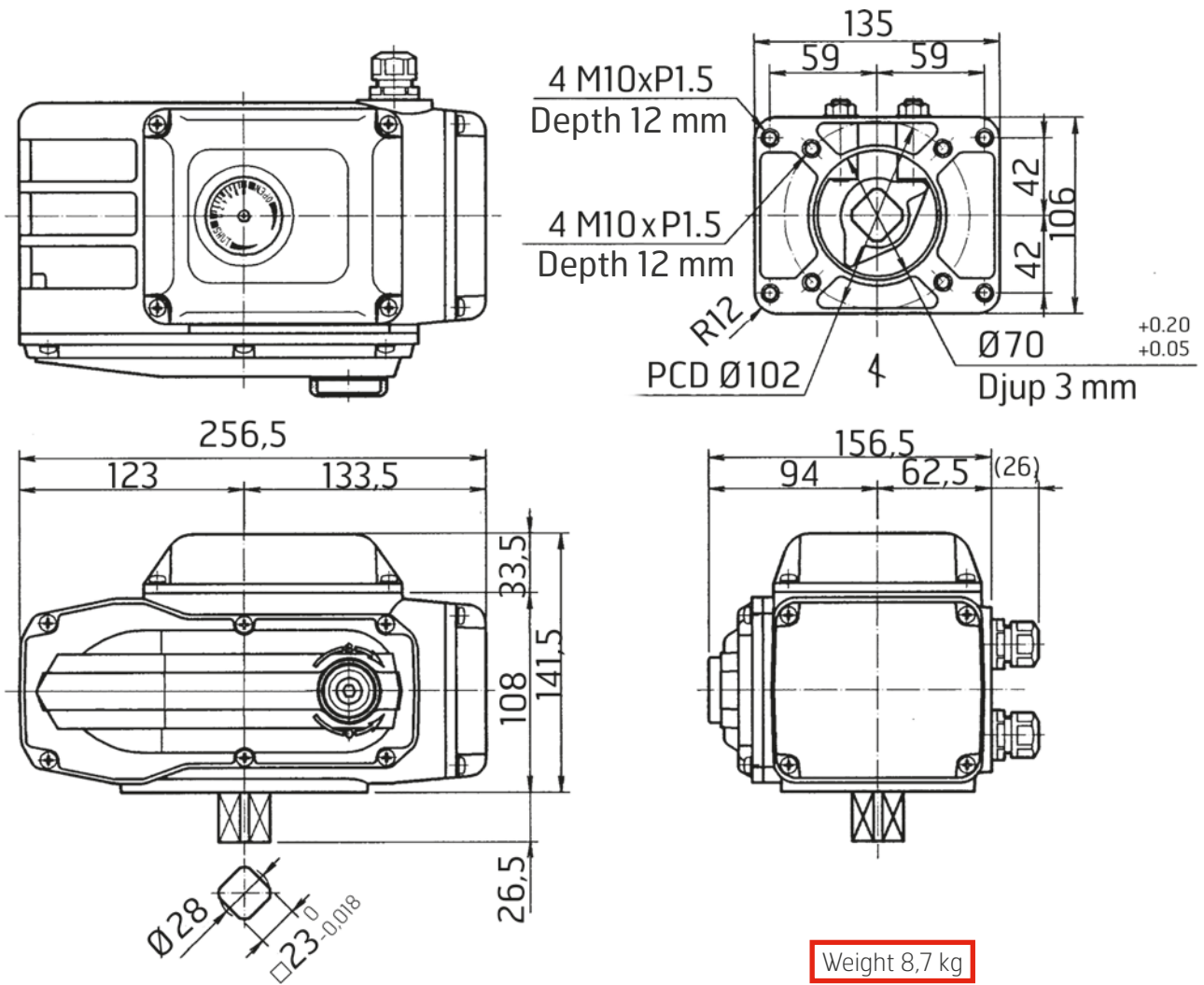


Dimensional Drawing VM9293 [mm]

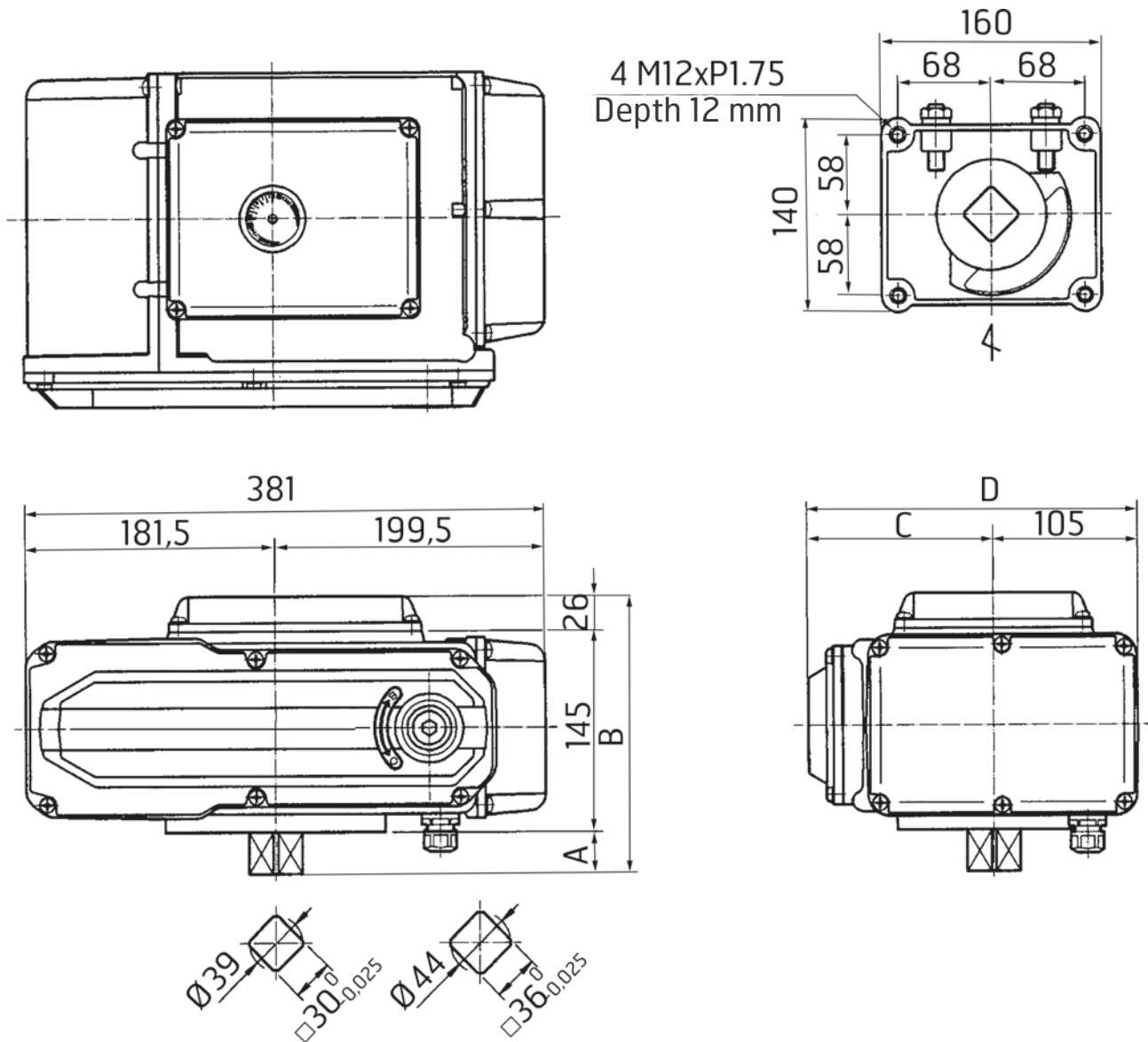


The technical design of the specified product here may be subject to change without notice — datasheet updated July 24, 2019

Dimensional Drawing VM9294-9295 [mm]



Dimensional Drawing VM9296-9299 [mm]



Dimensions [mm] and Weight VM9296-9299

VMnumber	9296	9297	9298	9299
A	30	30	30	34
B	201	201	201	205
C	137	137	148,5	148,5
D	242	242	253,5	253,5
Weight [kg]	21,3	21,3	22	22