

Beskrivning

- » Ebro on/off electric actuator for 1/4 turn valves.
- » Safe arresting by self-inhibition.
- » Maintenance-free, long life service by continuous lubrication.
- » Mechanical position indicator disc for an optical control of the valve's position.
- » Hand wheel enables immediate hand emergency operation if necessary.
- » 2 limit switches and 2 potential-free limit switches.
- » Valve interface according to ISO 5211.
- » Changeable clutch nuts for mounting on different shaft ends.
- » Motor with thermic winding protection switch.
- » Torque switch.
- » Plug-in design.
- » Duty class C according to EN 15714-2, Table 1, Class C.



Options

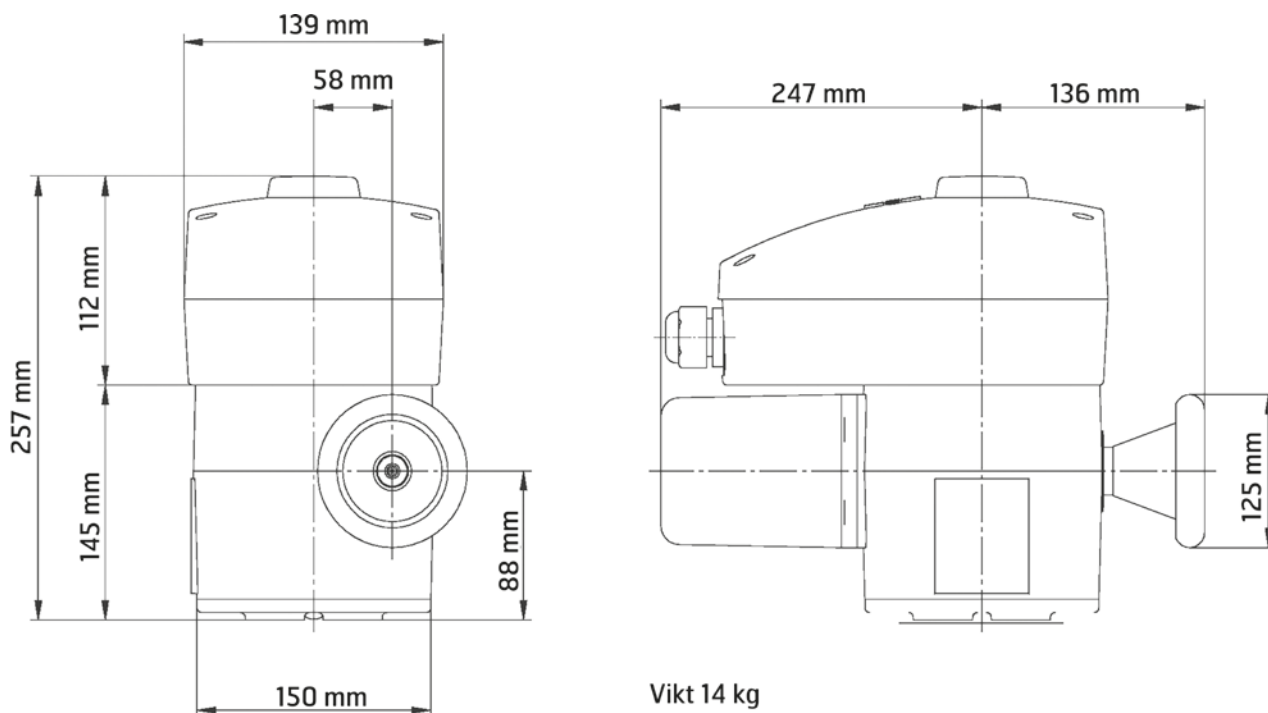
- » Frequency 60 Hz.
- » For optional additional equipment, ask your sales rep.

Materials and Technical Data

Product Type	E110 WS	E110 WS	E110 WS	E110 DS	E110 DS	E110 DS	E110 GS
Power supply	230VAC/50 Hz	230VAC/50 Hz	230VAC/50 Hz	400VAC/50 Hz	400VAC/50 Hz	400VAC/50 Hz	24VDC
Actuation time 0-90° sek	6 sek*	12 sek	24 sek*	6 sek*	12 sek	24*	6 sek*
Rated torque Nm	400 Nm	400 Nm	320 Nm	400 Nm	400 Nm	320 Nm	360 Nm
Rated current A	1,8 A	1,3 A	0,65 A	1,4 A	1,0 A	0,95 A	8,8 A
Starting current A	2,6 A	2,0 A	1,5 A	2,1 A	1,8 A	1,6 A	12,5 A
Power consumption kW	0,4 kW	0,26 kW	0,138 kW	0,27 kW	0,22 kW	0,2 kW	0,4 kW
Limit switches	max 250VAC, 3A						max 24VDC, 10A
Duty cycle	30% ED						
Protection class	IP67						
Ambient temperature	-20°C to +70°C						
Cable glands	2 x M20 x 1,5, Ømin = 6 mm, Ømax = 13 mm						
Protection against corrosion	C4 according to prEN WI 6900095						
Materials	aluminum body, epoxy coated						

* Options.

Dimensions



Shaft Mounting Design

Mounting flange ISO 5211	F07/F10
Shaft square	12 mm, 14 mm, 16 mm, 17 mm, 22 mm, 24 mm
Shaft circle	28 mm

Markings

The actuator has a type plate with producer, article number, the plants order number , and electrical data.

Mounting and Maintenance

Optional. Protection should be arranged for when mounting outdoors. The actuator is maintenance free.

Order Information

Electric actuator VM9270, operation time sec..... torque Nm..... rated voltage..... flange size..... type of shaft mounting..... shaft mounting mm.....