

# Sight Glass VM 6405

stainless steel | DN 15-250 | PN 16 | flange



## General

- » Sight glass for liquids, steam, and gases.
- » Body with embedded entry nozzle.
- » Pressed hard glass according to DIN 8902, recommended for temperatures up to 150°C.
- » Flanges according to DIN 2501.
- » Face-to-face design according to EN 558/1 GR 1.
- » Sealing surface according to 2526 Form C.



## Options

- » PN 10, PN 25, PN 40.
- » Body in other materials.
- » Borosilicate glass according to DIN 7080 for temperatures up to +280°C.
- » Female threaded or butt welded ends.
- » Sight glass light.
- » Glass viper.
- » Impeller wheel.
- » Heating jacket.
- » Indicator flap.

## Technical Data

Dimension DN	15	20	25	32	40	50	65	80	100	125	150	200	250
Pressure rating PN	16	16	16	16	16	16	16	16	16	16	16	16	16
Kv-value m <sup>3</sup> /h	7,4	14,2	22,8	36,5	60	98	148	224	350	547	778	1400	2190

## Max Working Pressure bar (e) at Temperature

Temperature °C	-10°C	+20°C	+80°C	+120°C	+150°C	+200°C <sup>1</sup>	+250°C <sup>1</sup>	+280°C <sup>1</sup>
Working pressure bar (e)	16	16	13	12	11	10	9	9

1. Borosilicate glass recommended.

## Materials

Body	stainless steel EN 1.4408
Cover flange	stainless steel EN 1.4408
Glass	pressed hard glass
Seal	uni-blau
Screw	stainless steel A4-70
Nut	stainless steel A4-70

The technical design of the specified product here may be subject to change without notice — datasheet updated June 7, 2013

# Sight Glass VM 6405

stainless steel | DN 15-250 | PN 16 | flange

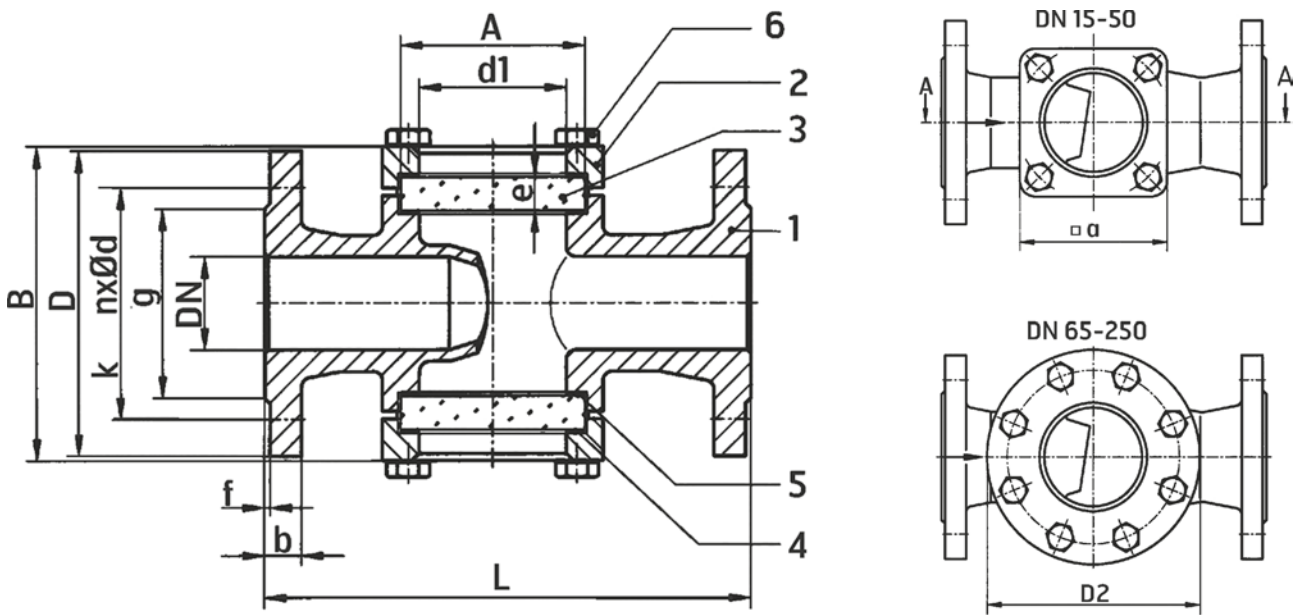


## Dimensions [mm] and Weight

Dimension DN	15	20	25	32	40	50	65	80	100	125	150	200	250
L	130	150	160	180	200	230	290	310	350	400	480	600	730
B	100	105	120	120	155	185	200	215	260	357	384	466	506
d1	32	32	48	48	65	80	80	100	125	175	175	175	175
a	70	70	85	85	110	125	-	-	-	-	-	-	-
D2	-	-	-	-	-	-	175	190	210	270	270	270	270
A	45	45	63	63	80	100	100	125	150	200	200	200	200
e	10	10	10	10	12	15	15	20	25	30	30	30	30
D	95	105	115	140	150	165	185	200	220	250	285	340	405
k	65	75	85	100	110	125	145	160	180	210	240	295	355
nxd	4x14	4x14	4x14	4x18	4x18	4x18	4x18	8x18	8x18	8x18	8x22	12x22	12x26
g	45	58	68	78	88	102	122	138	158	188	212	268	320
f	2	2	2	2	3	3	3	3	3	3	3	3	3
b	14	16	16	18	18	20	20	22	24	26	26	30	32
Weight [kg]	4	5	6,5	8,5	12	17	27	34	48	62	78	132	152

## Details

- 1 Body
- 2 Cover flange
- 3 Glass
- 4 Seal
- 5 Seal
- 6 Nut



## Markings

The sight glass is marked with DN, PN, producer, materials, and flow direction arrow. .

## Mounting and Maintenance

Optional mounting, note the flow direction arrow. The sight glass is maintenance free.

## Order Information

Sight glass VM 6405 in stainless steel, DN....., PN 16 in flanged design.

The technical design of the specified product here may be subject to change without notice — datasheet updated June 7, 2013