

Swing Check Valve VM6573

stainless steel | DN 40-350 | PN 40/10 | wafer type



General

- » Swing check valve for fluids, steam, and gases.
- » Without spring load.
- » For pulsating flow conditions, spring load is recommended.
- » Short face-to-face design.
- » Low weight.

Options

- » DN 32, DN 400-800.
- » Zinc coated steel, VM6571.
- » Aluminum-bronze, VM6574.
- » Other materials and pressure ratings.
- » Plate in rubber.
- » Metal/metal seat.
- » Spring load.
- » Lever and counterweight.



Technical Data

Dimension DN	40	50	65	80	100	125	150	200	250	300	350
Pressure rating PN	40	40	40	40	16	16	16	16	16	10	10
Min. temperature °C	-50	-50	-50	-50	-50	-50	-50	-50	-50	-50	-50
Max. temperature °C	+130	+130	+130	+130	+130	+130	+130	+130	+130	+130	+130
Kv-value m ³ /h	17	25	42	65	245	545	725	1035	1890	2200	4145

Opening Pressure

DN	Differential pressure mbar			
	Flow direction			
	→ 10°	→ 30°	→ 60°	↑
40	0,003	0,009	0,013	0,016
50	0,003	0,009	0,013	0,016
65	0,003	0,009	0,013	0,016
80	0,003	0,009	0,013	0,016
100	0,003	0,009	0,013	0,016
125	0,003	0,009	0,013	0,016
150	0,003	0,009	0,013	0,016
200	0,003	0,019	0,019	0,022
250	0,003	0,019	0,019	0,022
300	0,003	0,019	0,019	0,022
350	0,003	0,019	0,019	0,022

Materials

Body	stainless steel 1.4404
Plate	stainless steel 1.4404
Shaft	stainless steel 1.4404
O-ring	Viton®

The technical design of the specified product here may be subject to change without notice — datasheet updated May 15, 2018

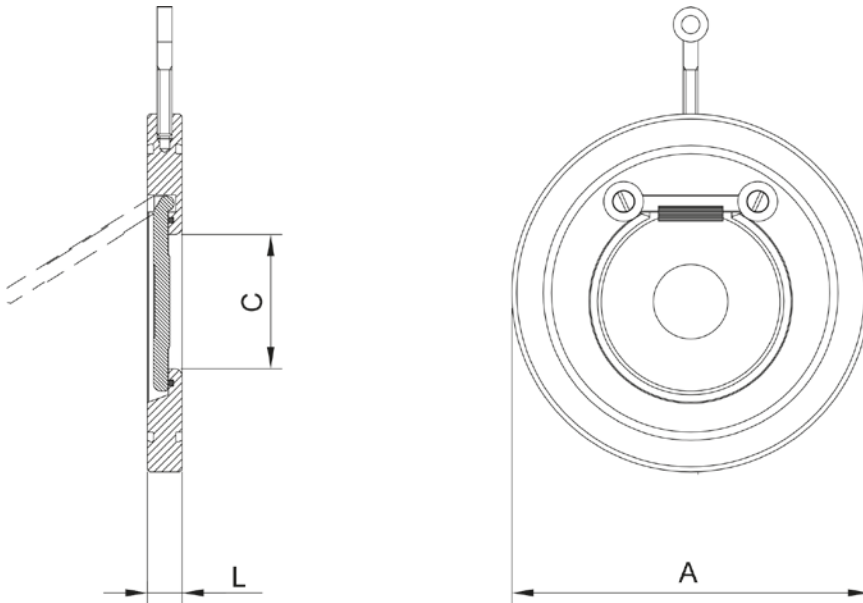
Swing Check Valve VM6573

stainless steel | DN 40-350 | PN 40/10 | wafer type



Dimensions [mm] and Weight

Dimension DN	40	50	65	80	100	125	150	200	250	300	350
L	14	14	14	14	18	18	20	22	26	32	38
A	95	109	129	144	164	195	220	275	330	380	440
C	22	32	40	54	70	92	112	154	200	240	270
Weight [kg]	0,7	0,9	1,2	1,5	2,4	3,4	4,6	7,5	13,1	20,4	32



Markings

The valve is marked with DN, PN, producer, materials, min/max temperature, type, and flow direction arrow.

Mounting

Note the flow direction arrow.

Maintenance

We recommend that the O-rings are changed every year, and the plate, screws and washers are replaced every three years. Aggressive media or turbulence reduces the time intervals on those recommendations.

Order Information

Swing check valve VM6573 in stainless steel, DN....., PN..... wafer type.

The technical design of the specified product here may be subject to change without notice — datasheet updated May 15, 2018