

# Limit Switch Box VM9356

for pneumatic- and hydraulic actuators with 90° turn



## General

- » 2 limit switches included in a box with optical indication 3D in the cap.
- » Corresponds to VDI/VDE 3845.
- » Each limit switch is independently activated by an adjustable positioner.
- » Adjustable console.
- » SIL 2 according to IEC 61508.



## Options

- » Other materials.
- » Other connections.
- » Multiple limit switch boxes, other types of limit switch boxes.
- » EEx-switches.
- » 2D, 3D1.
- » Limit switch box in other colors.

## Materials and Technical Data

Materials	box and shaft in polyamide PA6, black cap in polycarbonate, transparent mounting bracket in polyamide PA6 reinforced with 30% fiber glass sealings in EPDM and NBR screws in stainless steel 1.4301
Limit switches	SHERRY D44X, SPDT
Permissible load	10A (250VAC), 2,5A (24VDC)
Protection class	IP67 according to DIN EN 60529
Cable gland	M20 x 1,5 for cable Ø6-12 mm
Temperature	-25°C to +80°C
Hole spacing	80 x 30 mm and 130x30 mm 50 x 25 mm on request
Shaft height	20 mm and 30 mm

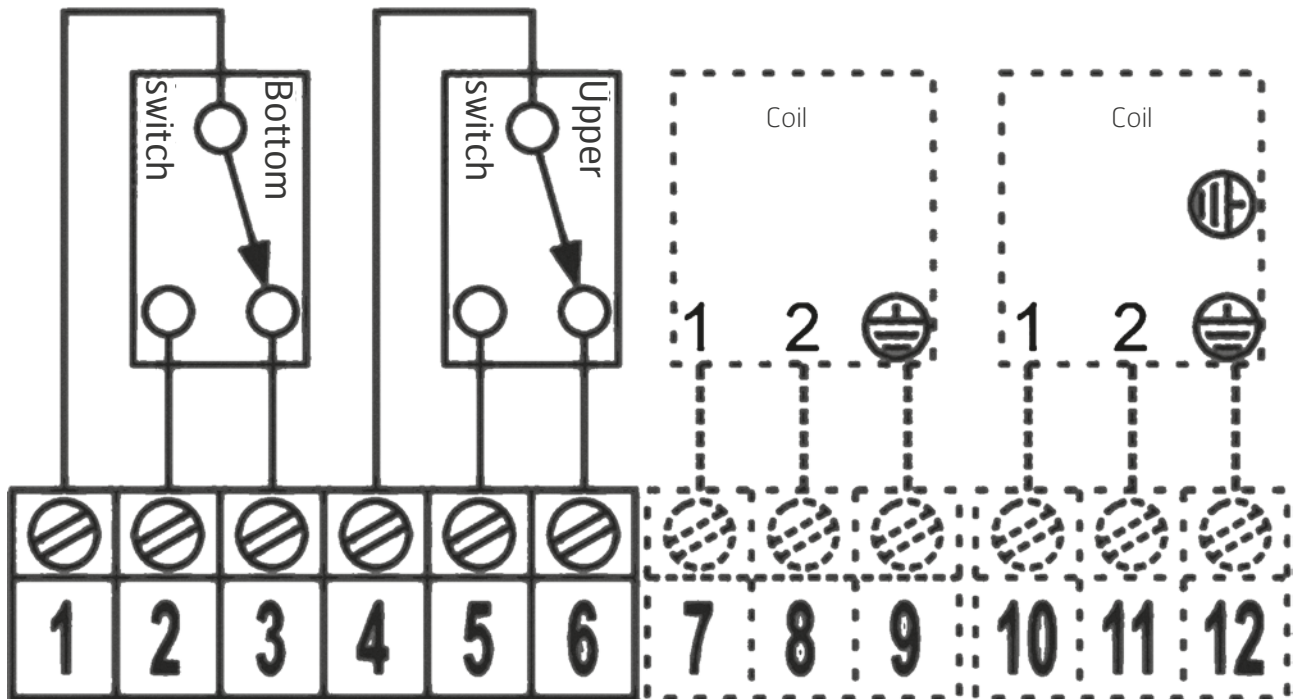
The technical design of the specified product here may be subject to change without notice — datasheet updated May 31, 2018

# Limit Switch Box VM9356

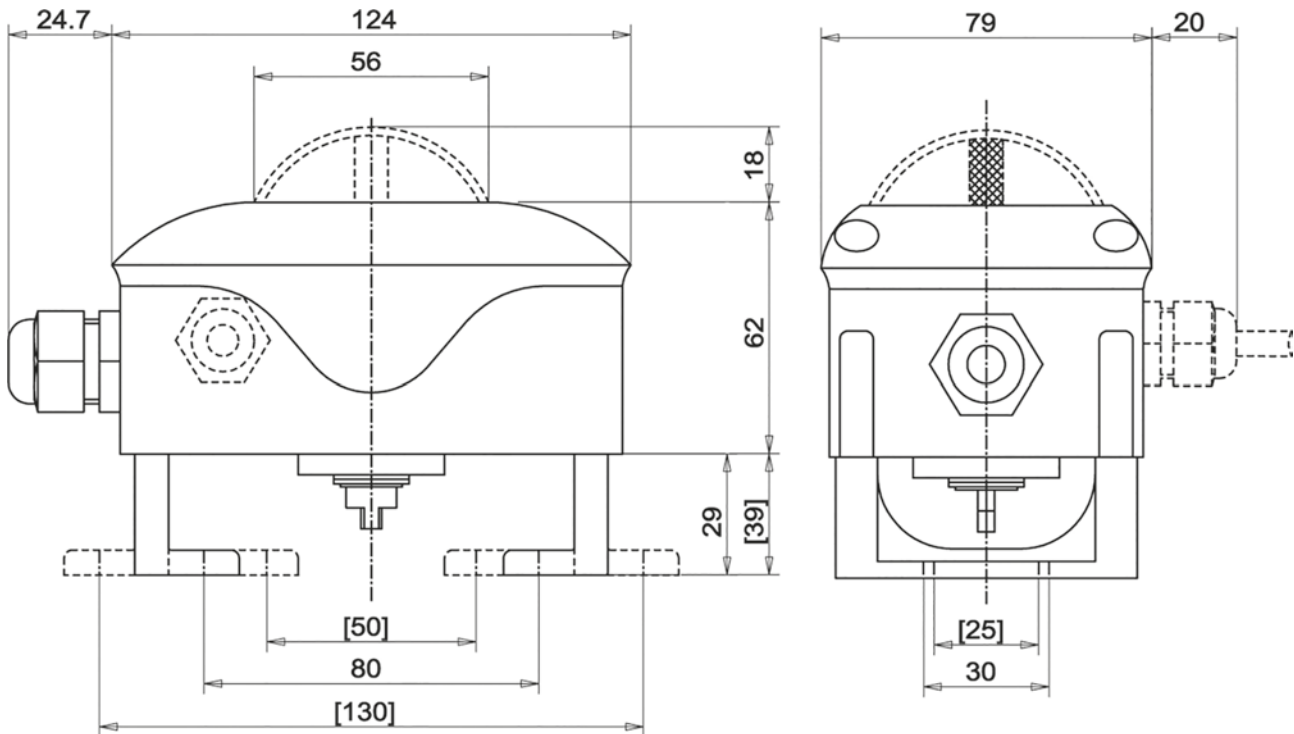
for pneumatic- and hydraulic actuators with 90° turn



## Wiring Diagram



## Dimensions [mm]



The technical design of the specified product here may be subject to change without notice — datasheet updated May 31, 2018