

Butterfly Valve VM 3004

cast iron | DN 50-300 | PN 10 | wafer type



General

- » Butterfly valve for liquids, air, and gases.
- » High neck for insulation.
- » Body covered on the inside by an exchangeable EPDM liner.
- » The liner has also the function of a flange gasket on both sides.
- » Centric disc design assures tightness in both directions.
- » Split two-piece design assures tightness in both directions.
- » Mounting flange according to ISO 5211.
- » Valve body epoxy coated.
- » Face-to-face design according to EN 558 series 20, ISO 5752 series 20.
- » Flange surface design EN 1092 Form A/B.



Options

- » DN 350-2000 where DN 700-2000 are in flanged design.
- » Other materials in body, disc, shaft and liner.
- » Silicone free version for paint and lacquers.
- » Shaft bearings in PTFE.
- » One-piece shaft PN 16 from DN 200.
- » Other face-to-face dimensions.
- » Other flange standards.
- » Different types of actuators.
- » Stem extension.
- » Other corrosion protection.
- » Vulcanized liner.
- » Approvals by TÜV, Lloyds, Bureau Veritas and others.
- » Gas approval according to DVGW.

Technical Data

Dimension DN	50	65	80	100	125	150	200	250	300
Pressure rating PN	10	10	10	10	10	10	10	10	10
Min. temperature °C	-10	-10	-10	-10	-10	-10	-10	-10	-10
Max. temperature °C	+90	+90	+90	+90	+90	+90	+90	+90	+90
Kv-value m ³ /h	85	215	420	800	1010	2100	4000	6400	8500
Torque Nm at max PN [bar]	9	18	18	28	45	78	140	200	280

Pressure Rating Connected Flange

Dimension DN	50	65	80	100	125	150	200	250	300
Pressure rating PN	6-10-16	6-10-16	6-10-16	6-10-16	6-10-16	6-10-16	6-10-16	10-16 ¹	10-16 ¹

1. PN 6 on request.

The technical design of the specified product here may be subject to change without notice — datasheet updated June 11, 2019

Ebro Technology

The result of Ebro's highly developed technology in conjunction with precision manufacturing delivers quality in every detail and ensures safe operation. All valves are tested according to Ebro's strict requirements, industry requirements and, of course, according to the customer's specific requirements. Ebro's surface treatment is one of the industry's most famous and provides a truly long life span.

Material

Body	cast iron EN-JL1040
Disc	aluminum bronze W2.0975
Shaft	stainless steel EN 1.4401
Seat lining	NBR
O-ring	NBR
Bearing bush	brass MS 58
Corrosion protection	2-component epoxy coated (blue)

Markings

The valve is marked with DN, PN, producer, materials, serial number, and type according to EN 19.

Mounting

Optional, but horizontal shafts are recommended.

Maintenance

The valve is maintenance free. It is recommended that the valve is exercised regularly for best function.

Order Information

Butterfly valve VM 3004 in cast iron, DN....., PN..... in wafer type design.

Butterfly Valve VM 3004

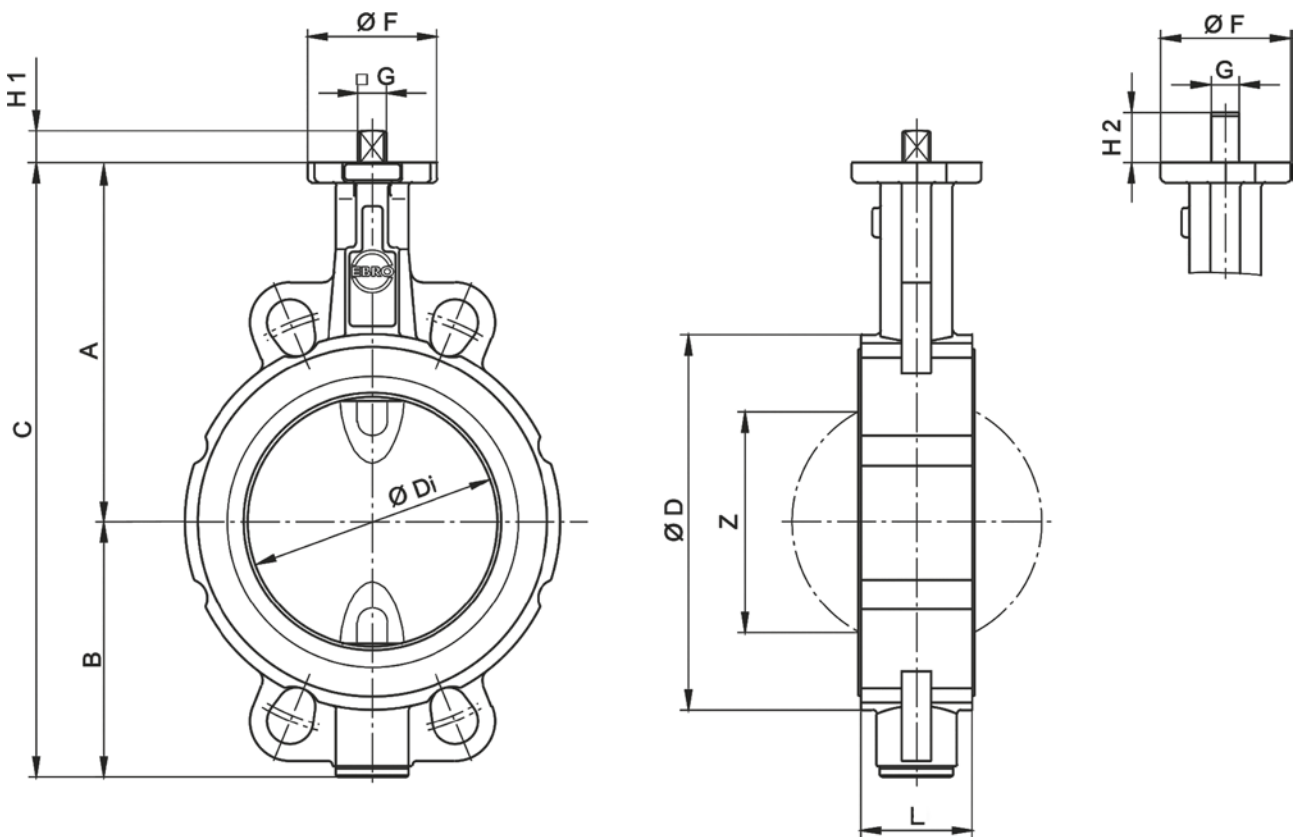
cast iron | DN 50-300 | PN 10 | wafer type



Dimensions [mm] and Weight

DN	50	65	80	100	125	150	200	250	300
L	43	46	46	52	56	56	60	68	78
A	126	134	157	167	180	203	228	266	291
B	84	93	104	115	127	150	176	212	237
C	210	227	261	282	307	353	404	478	528
D	95	115	138	158	188	212	268	320	370
Di	48,5	63,5	78,5	98,5	123,5	148	199	248	296
F	54	54	65	65	65	90	90	125	125
G (square)	11	11	14	14	14	17	17	22	22
H1	12	12	16	16	16	19	19	24	24
Z	25	45	65	85	111	139	190	240	287
Flange	F04	F04	F05	F05	F05	F07	F07	F10	F10
Weight [kg]	2,2	2,9	4,0	5,2	6,9	9,5	13,2	22,5	31,5

* According to mounted actuator.



The technical design of the specified product here may be subject to change without notice — datasheet updated June 11, 2019