

Beskrivning

- » Ebro on/off electric actuator for 1/4 turn valves.
- » Safe arresting by self-inhibition.
- » Maintenance-free, long life service by continuous lubrication.
- » Mechanical position indicator disc for an optical control of the valve's position.
- » Hand wheel enables immediate hand emergency operation if necessary.
- » 2 limit switches and 2 potential-free limit switches.
- » Valve interface according to ISO 5211.
- » Changeable clutch nuts for mounting on different shaft ends.
- » Motor with thermic winding protection switch.
- » Torque switch.
- » Plug-in design.
- » Duty class C according to EN 15714-2, Table 1, Class C.



Options

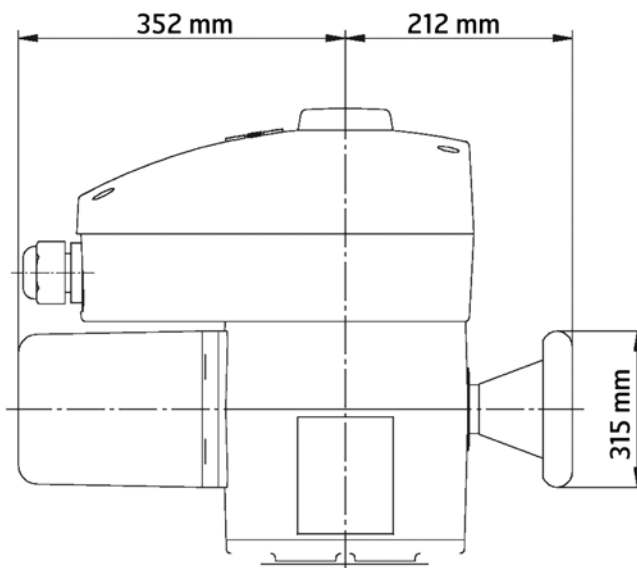
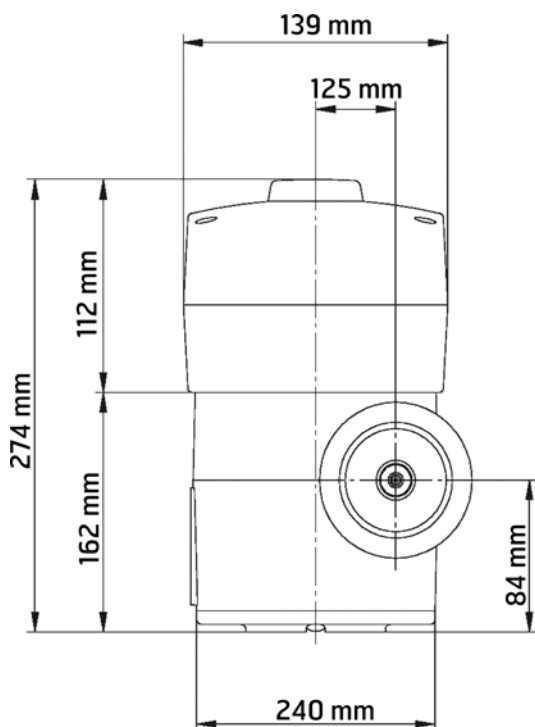
- » Frequency 60 Hz.
- » For optional additional equipment, ask your sales rep.

Materials and Technical Data

Product Type	E210 DS	E210 DS	E210 DS
Power supply	400VAC/50 Hz	400VAC/50 Hz	400VAC/50 Hz
Actuation time 0-90° sek	12 sek*	24 sek	48*
Rated torque Nm	3500 Nm	3500 Nm	3500 Nm
Rated current A	3,8 A	1 A	2,8 A
Starting current A	5,6 A	3,2 A	3,6 A
Power consumption kW	1,0 kW	0,54 kW	0,6 kW
Limit switches	max 250VAC, 3A	max 250VAC, 3A	max 250VAC, 3A
Duty cycle	30% ED		
Protection class	IP67		
Ambient temperature	-20°C to +70°C		
Cable glands	2 x M20 x 1,5, Ømin = 6 mm, Ømax = 13 mm		
Protection against corrosion	C4 according to prEN WI 6900095		
Materials	aluminum body, epoxy coated		

* Options.

Dimensions



Vikt 40 kg

Shaft Mounting Design

Mounting flange ISO 5211	F10, F12, F16
Shaft square	27 mm, 32 mm
Shaft circle	40 mm, 50 mm

Markings

The actuator has a type plate with producer, article number, the plants order number , and electrical data.

Mounting and Maintenance

Optional. Protection should be arranged for when mounting outdoors. The actuator is maintenance free.

Order Information

Electric actuator VM9277, operation time sec..... torque Nm..... rated voltage..... flange size..... type of shaft mounting..... shaft mounting mm.....