

# 86B SERIES


## Bag Filter Housing

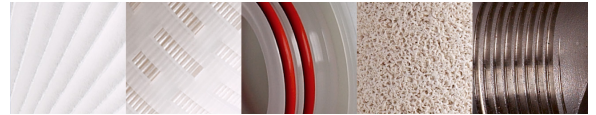
The **86B Series** In-Line filter housing offers a unique construction for bag filter applications in the liquid processing market. Our novel casting incorporates an integral one piece head with both inlet and outlet connections set In-Line. The unique construction retains a smooth and clean flow path.

The robust construction suits all areas of chemical and liquid processing plants. With minimal product hold up volumes and easy access to the disposable filter bag via the retained hinged lid, operators will always favour this style of housing when given a choice. Safety is also greatly improved for hazardous or high temperature fluids. The unique side entry and exit connections makes for the easiest of installation over the more conventional side entry, bottom outlet housings.

The **86B Series** filter assembly also offers a cost effective and practical filtration solution for many other liquid applications.

Available in 316L Stainless Steel is suitable for operating at pressure of up to 10 bar g at 150°C and has a flow capacity of up to 30m<sup>3</sup>/Hr. Two housing sizes are available for the 7" diameter bags, P1 (16") single length and P2 (32") double length. Our perforated basket accommodates most standard commercially available filter bags found on the market today including steel ring, moulded polypropylene and many other types.

Accessories	Part Number
Pressure Gauge and Vent Valve Kit 	60S000016
Single Displacement Pod	80S011S01
Double Displacement Pod	80S012S01
Vent Valve	60S000010
Drain Valve	60S000011

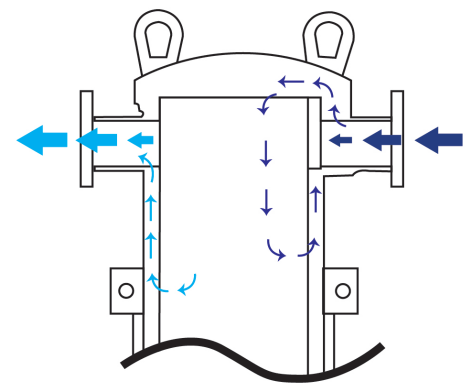


## Features and Benefits

- In-Line connections for ease of installation
- Minimum floor space requirements
- Investment cast top cover and connections
- Swing bolt assemblies with eyenuts
- Vent tapping point on cover
- Clean drain point
- Housing customisation services available
- Each housing is etched with a unique serial number for full traceability

## Improved Flow Path

The In-Line construction allows for ease of installation and a smaller foot print.



## Product Range

Amazon Filters design and manufacture an extensive range of liquid filtration systems, providing one of the widest selections of filtration vessels, depth filters and pleated cartridges available today, ensuring excellent process and filter compatibility. As one of Europe's leading manufacturers of filtration systems, Amazon Filters is able to offer a solution to meet all filtration requirements. Amazons' filters are manufactured in clean room conditions and all products come with detailed Product Validation Guides and Technical Support Documentation.



# 86B Series Technical Data

## Maximum Operating Conditions

Pressure Range: Liquid: FV / 10 bar g  
 Gas Group 2: FV / 4.5 bar g  
 Temperature Range: -10°C / 150°

## Materials of Construction

Body and Closure: 316L St.Steel  
 Bolting: Carbon Steel

## Finish

Vessel: Bead blasted inside and out  
 Swing Bolts: Zinc plated carbon steel (Optional Stainless Steel)

## Connections

Inlet / Outlet: 2" BSPM/Flange  
 Vent: 1/4" BSPF with Plug

Model	Dimensions					Volume (Litres)	Dry Weight (kg)
	A	B	C	D	E		
86B11UHC20A1BE	427	-	210-360	170	350	13.8	25.3
86B12UHC20A1BE	787	-	0-360	170	700	25.0	30.7

## PED Status:

Compliant with 2014/68/EU  
 Fluid Groups: Liquids Group 1 + 2  
 Gas Group 2

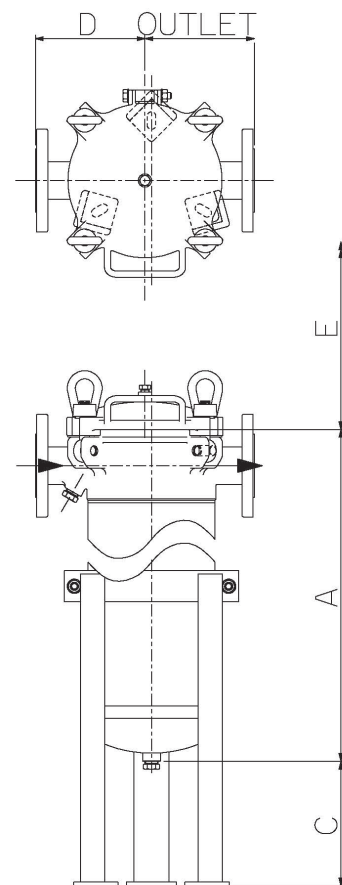
Marking: CE

Exceptions: Group 1 liquids - Explosive

## ATEX:

Compliant with 2014/34/EU, level CE Ex II 2 GD c X

Technical drawings for each individual housing showing dimensions, volume, weights, maximum temperatures and design pressures available on request.



# AMAZON FILTERS LTD.

Albany Park Estate, Camberley, Surrey, GU16 7PG, ENGLAND

Tel: +44 (0) 1276 670 600 Email: sales@amazonfilters.co.uk Web: www.amazonfilters.com