

Ball Valve VM4380

nickel plated brass | DN 6-15 | PN 15 | female thread



General

- » Ball valve for liquids and gases.
- » Dual sealing system.
- » Blowout-proof stem.
- » Female thread according to ISO 228.
- » T-handle.

Options

- » Aluminum.
- » Dezincification brass CW602N.
- » PN 16, VM4382.
- » Max. temperature +120°C.
- » Male/female thread.
- » Other types of wedges.



Technical Data

DN mm	6	8	10	15
Pressure rating PN	15	15	15	15
Min. temperature °C	-20	-20	-20	-20
Max. temperature °C	+90	+90	+90	+90
Kv-value m ³ /h	on request	5,8	5,8	9,4

Materials

Body	nickel plated brass CW617N
Ball	nickel plated brass CW617N
Stem	nickel plated brass CW617N
Seal	PTFE
O-ring	Viton®
T-handle	black nylon glass filled 30%

The technical design of the specified product here may be subject to change without notice — datasheet updated October 5, 2016

Ball Valve VM4380

nickel plated brass | DN 6-15 | PN 15 | female thread

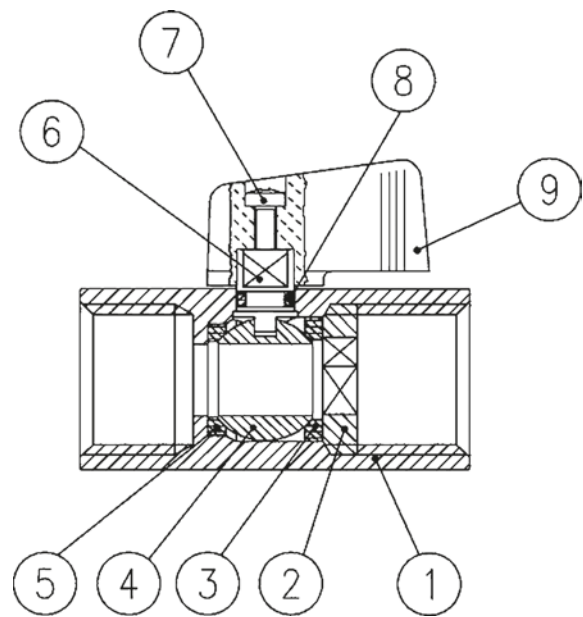
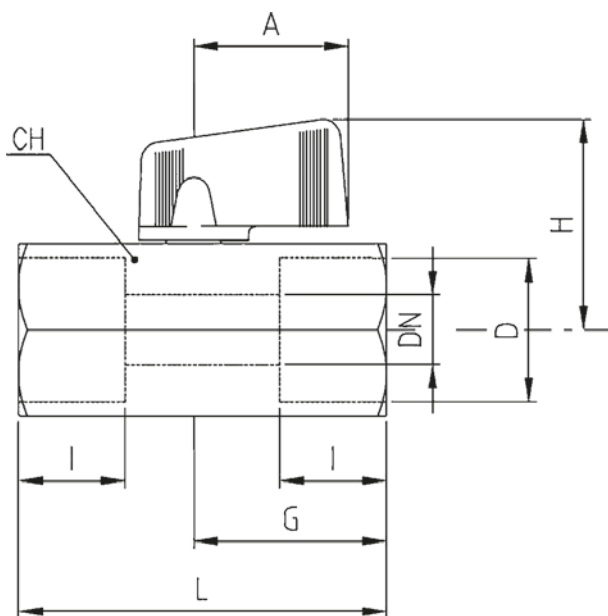


Dimensions [mm] and Weight

DN	6	8	10	15
D [tum]	1/8"	1/4"	3/8"	1/2"
L	41,5	41,5	41,5	49
I	10	11	11	13
G	22	22	22	26
A	22,5	22,5	22,5	22,5
H	31	31	31	33
CH	21	21	21	25
Weight [kg]	0,1	0,1	0,1	0,12

Details

1	Body
2	Retainer nut
3	Seal
4	Ball
5	Seal
6	Stem
7	Screw
8	O-ring
9	T-handle



Markings

-

Mounting

Optional.

Maintenance

The valve is maintenance free. It is recommended that the valve is exercised regularly for best function.

Order Information

Ball valve VM4380 in nickel plated brass, DN....., PN 15 in female thread design.

The technical design of the specified product here may be subject to change without notice — datasheet updated October 5, 2016