

Flap Valve VM6585

HDPE | DN 100-500 | many mounting options



General







- » Flap valve used in connection to surface, sewer, and process water systems.
- » Simple yet effective way to reliably prevent back flow into the system.
- » The open-and-close back pressure can be adjusted.

Materials and Technical Data

Valve plate	HDPE
Back plate	HDPE
Shaft	stainless steel 1.4401
Ballast	stainless steel 1.4401
Seal	EPDM
Operating pressure	max 5 mVp
Valve cover	15°, standard angle except for Type 0

Options

- » Bigger dimensions, other materials, higher working pressure, other designs.

Type 0 wall mounted	Type P pipe mounted	Type BS concrete/SPIROsol	Type OH angle wall mounted	Type F flange mounted
				
				
Type 101 DN 100-500	Type 105 DN 100-500	Type 106 DN 300-500	Type 103 DN 100-500	Type 108 DN 100-500
				
Type 102 DN 600-1200		Type 107 DN 600-1200	Type 104 DN 600-1200	Type 109 DN 600-1200
				
Type 110 from DN 200x200 to DN 2700x2700			Type 111 from DN 200x200 to DN 2700x2700	Type 114 DN 100-500
				
			Type 112 DN 100-500	Type 115 DN 600-1200
				
			Type 113 DN 600-1200	

The technical design of the specified product here may be subject to change without notice — datasheet updated June 29, 2011

Flap Valve VM6585

HDPE | DN 100-500 | many mounting options

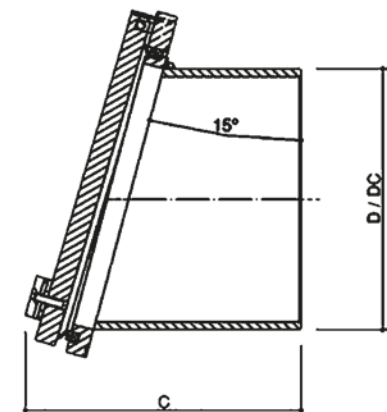
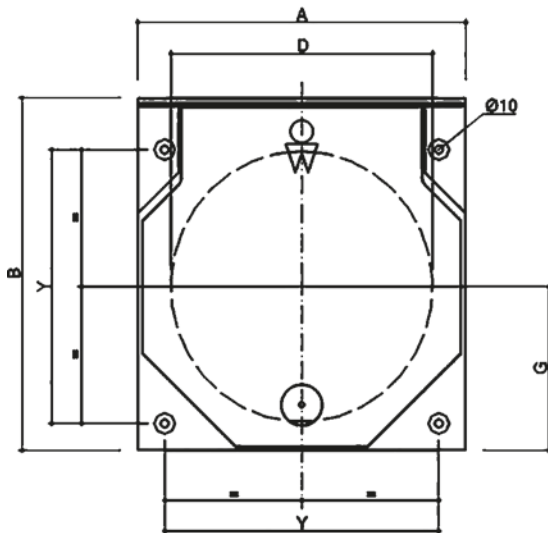
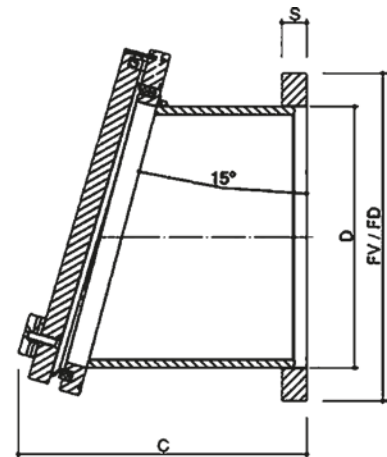


Dimensions [mm]

DN	D	A	B	G	Y	Type O		Type P		Type BS			Type OH and Type F					
						C	C	C	C	C	C	DC	C	C	FV	FD	S	
							open		open		open				open			
100	110	190	220	95	150	75	230	225	345	-	-	-	235	355	190	220	20	
125	125	205	235	102,5	155	75	245	225	355	-	-	-	235	365	205	220	20	
150	160	240	270	120	180	75	280	225	380	-	-	-	235	390	240	285	20	
200	200	280	310	140	230	75	315	325	510	-	-	-	340	525	280	340	30	
250	250	330	360	165	280	80	360	330	545	-	-	-	345	560	330	395	30	
300	315	395	425	197,5	330	85	425	335	595	585	845	290	350	610	395	445	30	
400	400	480	510	240	420	95	510	400	710	595	910	390	410	725	480	565	30	
500	500	580	610	290	520	105	600	400	785	605	985	490	420	800	580	670	30	

Weight [kg]

	Type O	Type P	Type BS	Type OH	Type F
DN 100	2	3	-	3	3
DN 125	2	3	-	3	3
DN 150	3	3	-	4	4
DN 200	4	5	-	6	6
DN 250	5	6	-	8	8
DN 300	6	8	10	11	10
DN 400	9	13	16	16	16
DN 500	13	18	23	22	22



Order Information

Flap valve VM6585 in HDPE, DN....., type..... State type of connection.

The technical design of the specified product here may be subject to change without notice — datasheet updated June 29, 2011