

Double-Acting Pneumatic Actuator VM9300

suitable for all 1/4 turn valves



General

- » Ebro double-acting pneumatic actuator in double piston design.
- » High opening- and closing-torques provided by scotch-yoke concept.
- » Optical position indicator with integrated operator for limit switches.
- » Blow-out proof shaft.
- » Permanently lubricated and maintenance free.
- » Valve interface according to EN ISO 5211.
- » Limit switches and solenoid valve mounting according to VDI/VDE 3845.
- » SIL 2 (SIL 3 as redundant system) acc. to IEC 61508.
- » ATEX: EX II 2 GD c Tx.

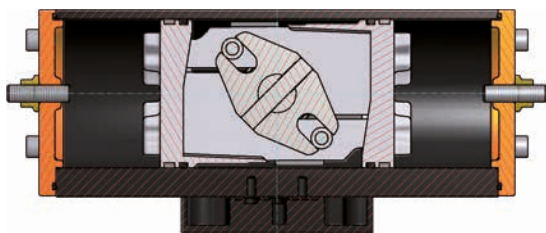


Options

- » Other coatings.
- » Single-acting with spring return, VM9311.
- » Higher torque.
- » Speed control block for adjustment of closing/opening times up to 60 seconds.
- » -40°C to + 80°C (low temperature).
- » -15°C to + 120°C (high temperature).
- » Separate ISO-flange.
- » Gear box with hand wheel for manual override at air failure.
- » AS-i.
- » For optional additional equipment, ask your sales rep.

Materials and Technical Data

Actuator cylinder	anodized aluminum
Shaft	steel
Fasteners	stainless steel
Open/close	0-90°
Temperature	from -20°C to +80°C
Mounting	optional
Limit of travel	exactly adjustable between -8°/+3°
Supply pressure	min. 2,5 bar max. 8 bar
Supply quality	filtered compressed air dry or lubricated for cycles ≥ 4 /min please lubricate



Open



Close

The technical design of the specified product here may be subject to change without notice — datasheet updated May 17, 2017

Double-Acting Pneumatic Actuator VM9300

suitable for all 1/4 turn valves



Torque Nm Including Safety Margin

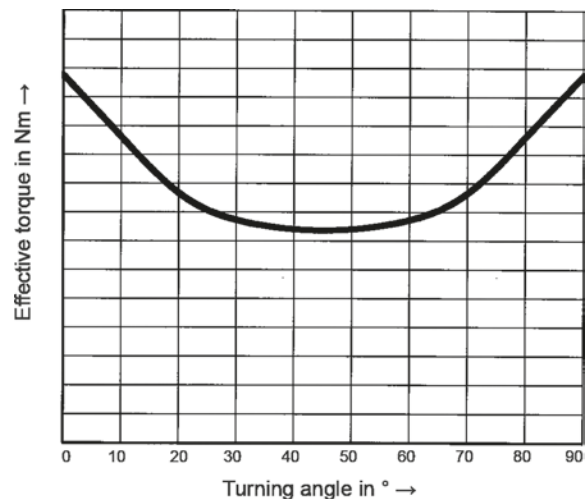
VMnumber	2,5 bar	3 bar	3,5 bar	4 bar	4,5 bar	5 bar	5,5 bar	6 bar	7 bar	8 bar
9300-4	11	13	16	18	20	22	25	27	31	36
9300-5	32	38	44	51	57	63	70	76	89	101
9300-6	65	78	91	104	117	130	143	156	182	208
9300-8	104	125	146	166	187	208	229	250	292	333
9300-9	157	189	220	252	283	315	346	378	441	504
9300-10	220	265	309	353	397	441	485	530	618	706
9300-12	381	457	534	610	686	762	839	935	1067	1220
9300-14	557	668	780	891	1002	1114	1226	1337	1560	1782
9300-16	846	1011	1180	1348	1517	1685	1854	2022	2358	2696
9300-18	1098	1317	1537	1756	1976	2195	2415	2634	3073	3512
9300-20	1541	1850	2158	2466	2775	3082	3391	3700	4316	4932
9300-22	2125	2550	2975	3400	3825	4250	4675	5100	5950	6800
9300-26	4070	4884	5698	6512	7326	8140	8954	9768	11396	13024

Closing Time and Air Consumption

VMnumber	Closing time ¹	Air consumption ² at 1 atm
9300-4	0,25	0,18
9300-5	0,25	0,46
9300-6	0,35	0,91
9300-8	0,45	1,49
9300-9	0,55	2,33
9300-10	0,70	3,26
9300-12	1,00	5,63
9300-14	< 1,5	7,52
9300-16	< 1,5	11,01
9300-18	< 2,0	16,49
9300-20	< 2,0	22,79
9300-22	< 2,0	29,7
9300-26	< 2,0	60,94

1. Closing times with unthrottled air exhaust and air supply, 6 bar control pressure at no load operation.
 2. Load air consumption = filling volume x control.

Typical Torque Curve of a Scotch-Yoke Actuator



Mounting

Optional.

Maintenance

The actuator is maintenance free.

Spare parts list with recommended spare parts on request.

Order Information

Double-acting pneumatic actuator VM9300.....G size being.....

The technical design of the specified product here may be subject to change without notice — datasheet updated May 17, 2017

Double-Acting Pneumatic Actuator VM9300

suitable for all 1/4 turn valves

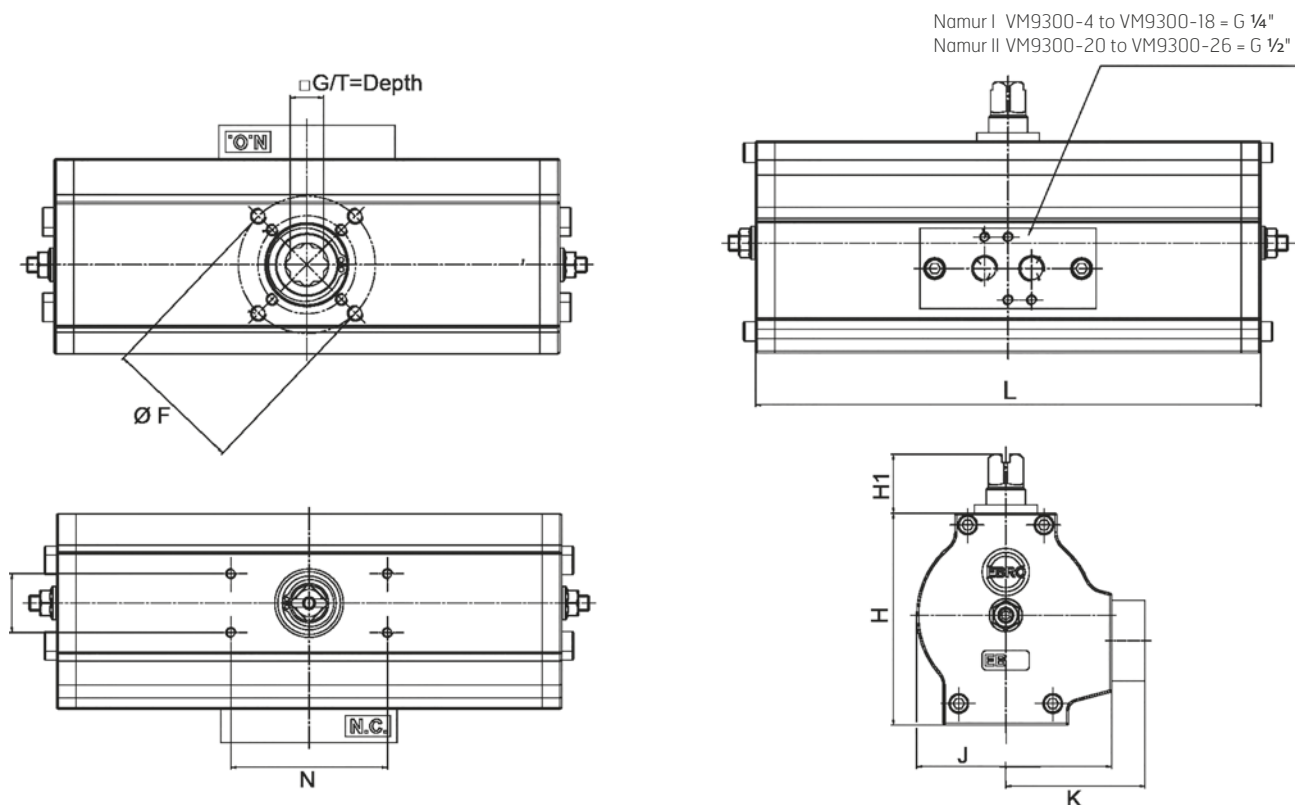


Dimensions [mm] and Weight, Standard Sizes in Bold Text

VMnumber	F ¹	G	H	H1	J	K	L	N	T	Weight [kg]
9300-4	F04/05²	10/ 11 /12/14	66	30	57	49	148	80	13/16	1,1
9300-5	F04/ 05²	10/11/12/ 14	77	30	72	57	174	80	13/16	1,7
9300-6	F04/ 05/07²	11/12/ 14/16/17	91	30	88	66	224	80	19	3,0
9300-8	F05/ 07/10	12/14/16/ 17/22	108	30	100	71	258	80	19	4,1
9300-9	F07/10/25	14/16/17/ 22	120	30	113	78	311	80	19	6,7
9300-10	F07/10/25	14/16/17/ 22	129	30	122	82	334	80	24	7,5
9300-12	F10/ 12/25	17/ 22/24/27	156	30	145	93	392	80	29	12,7
9300-14	F12/16/25	36	189	30	154	102	433	80	38	21,3
9300-16	F12/16/25	46	212	30	172	102	525	80	48	29,0
9300-18	F12/16/25	46	243	30	196	103	590	80	48	41,0
9300-20	F12/16/25	46	272	30	234	120	611	80	48	57,1
9300-22	F16/25	55	283	30	244	125	698	80	59	72,5
9300-26	F16/25	55	350	30	336	168	896	80	59	130,2

1. F25 over 4000 Nm, contact Ventim.

2. F04/05 no combined flange available.



The technical design of the specified product here may be subject to change without notice — datasheet updated May 17, 2017