

Stop Valve VM5803

cast iron | DN 15-300 | PN 16 | flange



General

- » Stop valve for liquids, steam, and gases.
- » Stem with roll hardened thread.
- » Burnished stem.
- » Position indicator.
- » Face-to-face design according to DIN EN 558.
- » Flange according to DIN EN 1092-1/2.
- » Handwheel.

Options

- » Other materials and pressure ratings.
- » Other connections; flange according to other standards, butt welded end.
- » Pneumatic- or electric actuator.
- » Angle seat design.
- » Chain wheel.
- » Soft sealing in PTFE.
- » Test TA-Luft.



Technical Data

Dimension DN	15	20	25	32	40	50	65	80	100	125	150	200	250	300
Pressure rating PN	16	16	16	16	16	16	16	16	16	16	16	16	16	16
Min. temperature °C	-10	-10	-10	-10	-10	-10	-10	-10	-10	-10	-10	-10	-10	-10
Max. temperature °C	+300	+300	+300	+300	+300	+300	+300	+300	+300	+300	+300	+300	+300	+300
Kv-value m ³ /h	4,2	7,4	12	19	31	47	77	120	188	288	410	725	1145	1635

Pressure Balancing Plugs

Valves with differential pressures exceeding the following pressures have to be fitted with pressure balancing plugs.

Dimension DN	125	150	200	250	300
Working pressure dP (bar)	25	21	14	9	6

Max. Working Pressure bar (e) at Temperatures

Temperature °C	-10°C to +50°C	+150°C	+200°C	+250°C	+300°C
Working pressure bar (e)	16	14,4	12,8	11,2	9,6

Materials

Body	cast iron JL1040
Seat ring	stainless steel 1.4021+QT
Stem	stainless steel 1.4021+QT (burnished)
Plug DN 15-200	stainless steel 1.4021+QT
Plug DN 250-300	steel 1.0425
Packing	pure graphite
Handwheel	cast iron JL1040

The technical design of the specified product here may be subject to change without notice — datasheet updated October 14, 2016

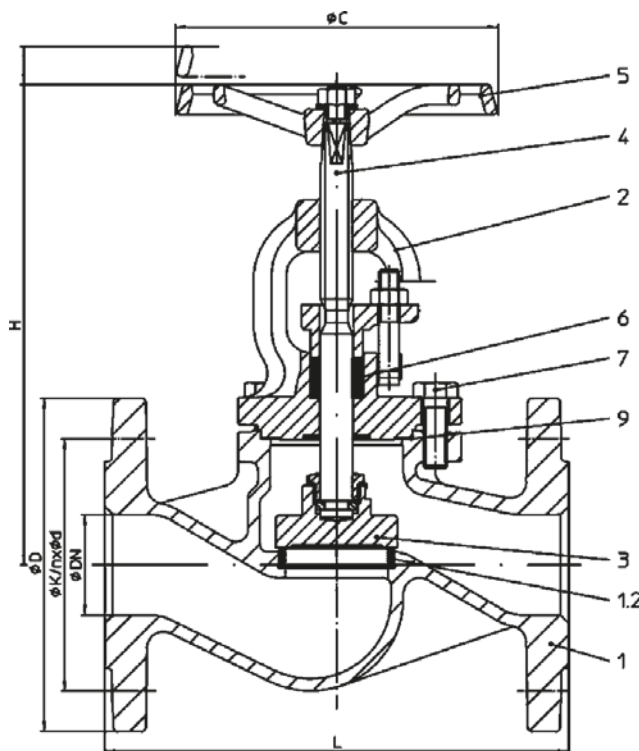
Stop Valve VM5803

cast iron | DN 15-300 | PN 16 | flange



Dimensions [mm] and Weight

Dimension DN	15	20	25	32	40	50	65	80	100	125	150	200	250	300
L	130	150	160	180	200	230	290	310	350	400	480	600	730	850
H	185	185	205	205	230	230	270	305	355	395	450	570	685	770
ØC	120	120	140	140	160	160	180	200	225	250	400	520	520	520
Travel	9	9	13	13	21	19	28	32	36	52	56	73	80	110
ØD	95	105	115	140	150	165	185	200	220	250	285	340	405	460
ØK	65	75	85	100	110	125	145	160	180	210	240	295	355	410
N x Ød	4 x 14	4 x 14	4 x 14	4 x 18	4 x 18	4 x 18	4 x 18	8 x 18	8 x 18	8 x 18	8 x 22	12 x 22	12 x 26	12 x 26
Weight [kg]	3,5	4	5	6,8	9,3	12,2	18	24,5	35	55	77	145	243	341



Details

1	Body
1.2	Seat ring
2	Bonnet
3	Plug
4	Stem
5	Handwheel
6	Packing ring
7	Stud
9	Packing

Markings

The valve is marked with DN, PN, materials, CE (DN 32-500), type no, flow direction arrow, and production year.

Mounting and Maintenance

Built-in-position, see separate manual. Note the flow direction arrow.

The valve is maintenance free. It is recommended that the valve is exercised regularly for best function.

Order Information

Stop valve VM5803 in cast iron, DN....., PN 16 in flanged design.

The technical design of the specified product here may be subject to change without notice — datasheet updated October 14, 2016