

Needle Valve VM1100

brass | DN 8-15 | PN 100 | female thread



General

- » Needle valve for liquids, steam, and gases.
- » One piece body construction.
- » Handwheel.
- » A small orifice plus that the force advantage of the fine threaded stem is high makes the needle valve easy to shut off completely.

Options

- » Stainless steel EN 1.4104, VM1101.
- » Stainless steel EN 1.4404, VM1102.
- » Male thread.
- » NPT thread.
- » Locked box nut.



Technical Data

Dimension DN	8	10	15
Pressure rating PN	100	100	100
Kv-value m ³ /h	0,42	0,48	0,54

Max Working Pressure bar (e) at Different Temperatures

Temperature °C	+20°C	+110°C	+185°C
Working pressure bar (e)	100	16	16

Materials

Body	brass CW614N
Stem	brass CW614N
Packing	graphite
Handwheel	steel plate

The technical design of the specified product here may be subject to change without notice — datasheet updated October 17, 2002

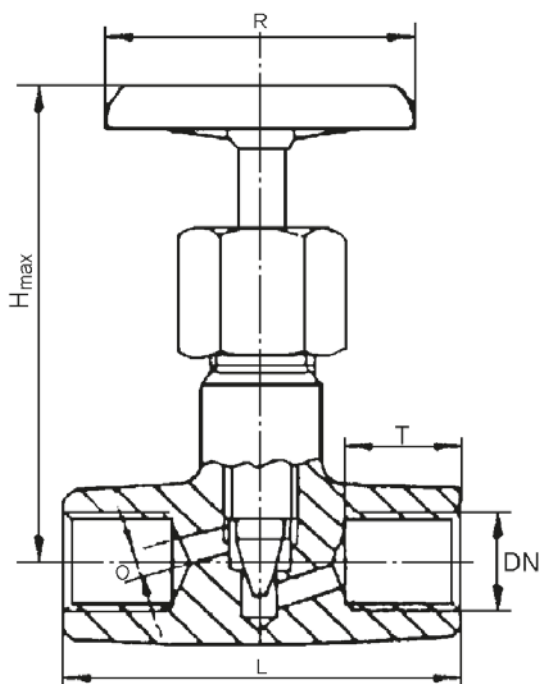
Needle Valve VM1100

brass | DN 8-15 | PN 100 | female thread



Dimensions [mm] and Weight

Dimension DN	8	10	15
L	48	54	56
H	80	80	80
T	14	16	17
O	4	5	5
R	65	65	65
Weight [kg]	0,30	0,30	0,30



Markings

The valve is marked with DN, PN, producer, and flow direction arrow.

Mounting

Optional. Note the flow direction arrow.

Maintenance

The valve is maintenance free. It is recommended that the valve is exercised regularly for best function.

Order Information

Needle valve VM1100 in brass DN....., PN 100 with female threads.

The technical design of the specified product here may be subject to change without notice — datasheet updated October 17, 2002