

# Sight Glass VM6421

cast iron | DN 10-50 | PN 16 | female thread



## General

- » Sight glass for liquids, steam, and gases.
- » Body with embedded entry nozzle.
- » Soda lime glass according to DIN 8902, recommended for temperatures up to 150°C.
- » Female thread according to ISO 228/1.

## Options

- » Other materials and pressure ratings.
- » Borosilicate glass according to DIN 7080 for temperatures up to +200°C.
- » Other thread standards.
- » Flange.
- » Glass viper.
- » Indicator flap.



## Technical Data

Dimension DN	10	15	20	25	32	40	50
Pressure rating PN	16	16	16	16	16	16	16
Kv-value m <sup>3</sup> /h	5,2	9,7	19,5	31	51	85	103

## Max Working Pressure bar (e) at Temperature

Temperature °C	+20°C	+120°C	+200°C <sup>1</sup>	+250°C <sup>1</sup>	+280°C <sup>1</sup>
Working pressure bar (e)	16	16	13	11	10

1. Borosilicate glass recommended.

## Materials

Body	cast iron JL1040
Cover flange	ductile iron JS1049
Glass	soda lime glass
Seal	uni-blau
Screw	steel 5.6
Nut	steel 5.2

The technical design of the specified product here may be subject to change without notice — datasheet updated June 7, 2013

# Sight Glass VM6421

cast iron | DN 10-50 | PN 16 | female thread

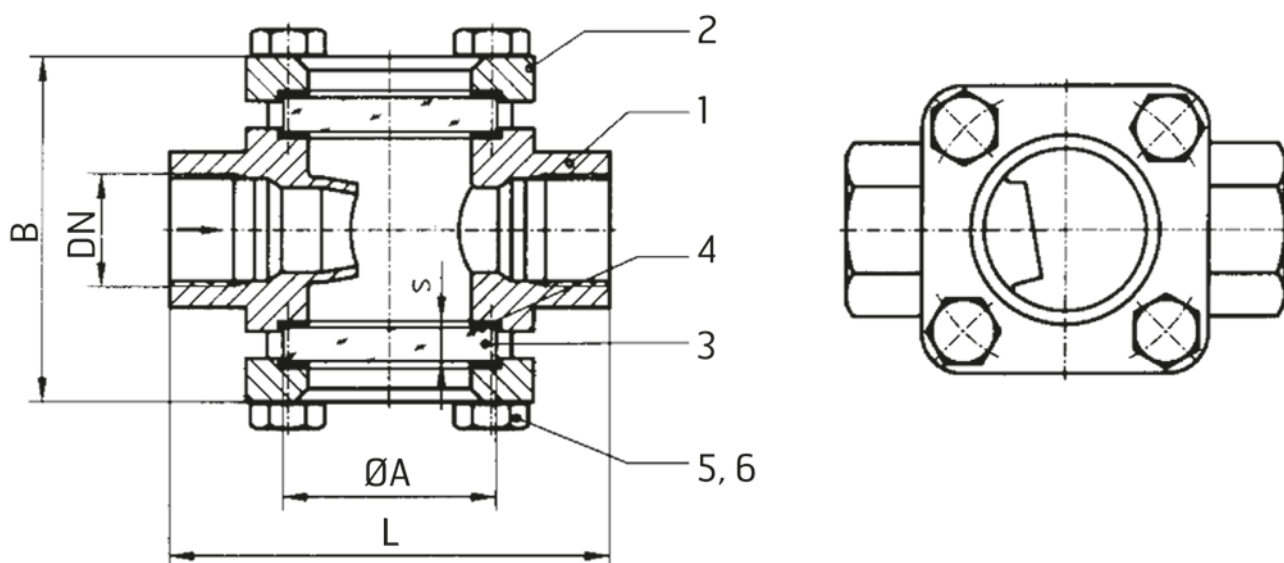


## Dimensions [mm] and Weight

Dimension DN	10	15	20	25	32	40	50
L	110	110	130	130	170	170	190
B	96	96	114	114	142	142	164
ØA	45	45	63	63	80	80	100
S, glass thickness	10	10	10	10	12	12	15
Weight [kg]	2,2	2,2	3,7	3,7	7,1	7,1	10,1

## Details

1	Body
2	Cover flange
3	Glass
4	Seal
5	Screw
6	Nut



## Markings

The sight glass is marked with DN, PN, producer, materials, and flow direction arrow. .

## Mounting and Maintenance

Optional mounting, note the flow direction arrow. The sight glass is maintenance free.

## Order Information

Sight glass VM6421 in cast iron, DN....., PN 16 in female thread design.

The technical design of the specified product here may be subject to change without notice — datasheet updated June 7, 2013