

Sight Glass VM6461

steel | DN 25-200 | PN 16/10 | welded



General

- » Round welded sight glass according to DIN 28120.
- » Consists of a base frame and cover frame with glass plates made of borosilicate glass according to DIN 7080, max temperature +280°C.

Options

- » Body in stainless steel, VM6462.
- » Glass plates made of soda lime glass according to DIN 8902, for temperatures up to +150°C.
- » Higher working pressure.
- » Light.
- » Screen viper.
- » Round screwed-on sight glass according to DIN 28121, max. temperature +200°C.



Technical Data

Dimension DN	25	40	50	80	100	125	150	200
Pressure rating PN	16	16	16	16	16	16	16	10
Max. temperature °C	+280	+280	+280	+280	+280	+280	+280	+280
Torque Nm	13	24	32	23	30	34	54	63

Max Working Pressure bar (e) at Different Temperatures

Temperature °C	PN	+20°C	+120°C	+200°C	+250°C	+280°C
Working pressure bar (e)	16	16	16	14	13	11
Working pressure bar (e)	10	10	10	8	7	6

Materials

Base frame	steel 1.0425
Cover frame	steel 1.0038
Seal	uni-blau
Glass	borosilicate glass

The technical design of the specified product here may be subject to change without notice — datasheet updated March 23 2017

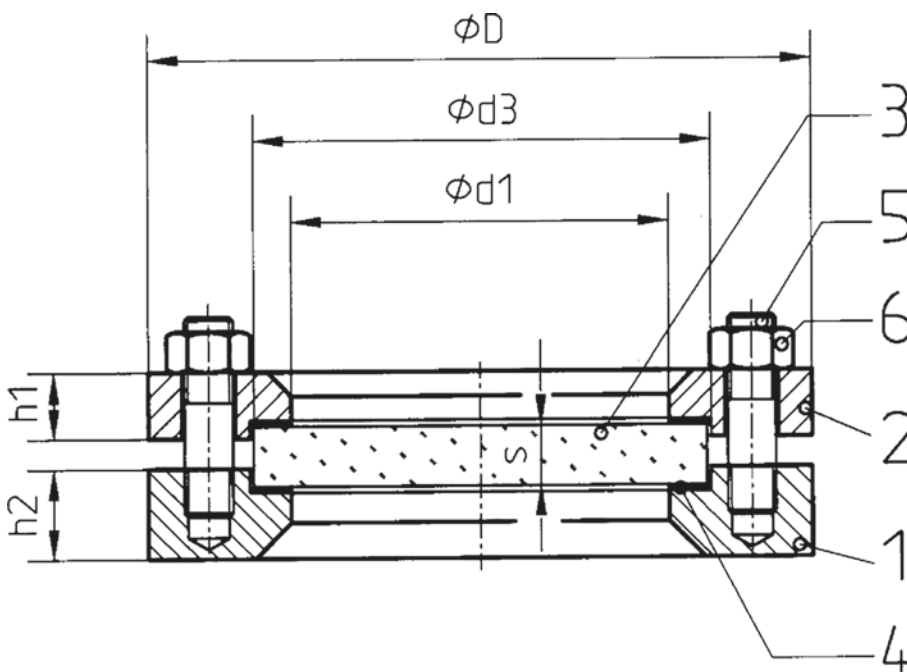
Sight Glass VM6461

steel | DN 25-200 | PN 16/10 | welded



Dimensions [mm] and Weight

Dimension DN	25	40	50	80	100	125	150	200
D	115	150	165	200	220	250	285	340
d3	63	80	100	125	150	175	200	250
d1	48	65	80	100	125	150	175	225
s, glass thickness	10	12	15	20	25	25	30	30
h1	16	16	16	20	22	25	30	35
h2	25	30	30	30	30	30	36	36
Weight [kg]	3,2	6,3	7,5	11,7	14,2	18,1	27,8	38,5



Details

- | | |
|---|-------------|
| 1 | Base frame |
| 2 | Cover frame |
| 3 | Glass |
| 4 | Seal |
| 5 | Stud bolt |
| 6 | Hexagon nut |

Markings

The sight glass is marked with DN, PN, materials, and producer.

Order Information

Sight glass VM6461 in steel, DN....., PN.....

The technical design of the specified product here may be subject to change without notice — datasheet updated March 23 2017