

# Pipe Connector VM3901

EPDM | DN 20-200 | PN 10 | wafer type



## General

- » Ebro flexible pipe connector for noise reduction in public buildings.
- » The flexible pipe connector must not be used as a compensator.
- » Excellent heat and age-resistance.
- » Electric non-conductive.
- » Flange connection according to DIN 2501.
- » Approved by TÜV for use in heat installations.



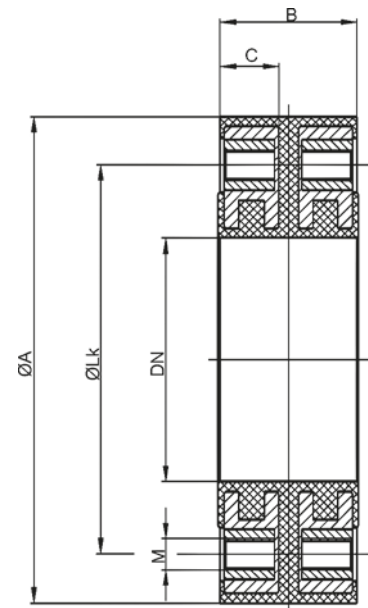
## Materials and Technical Data

Body	EPDM
Flange	aluminum/steel
Dimensions DN	20-200
Pressure rating PN	10
Pressure rating PN mounting flange	10 (PN 6 on request)
Min. temperature °C	-20
Max. temperature °C	+120

## Dimensions (mm) and Weight

Dimension DN	20	25	32	40	50	65	80	100	125	150	200
A	105	115	140	150	165	185	200	220	250	285	340
B	70	70	70	70	70	70	70	70	70	70	85
C <sup>1</sup>	30	30	30	30	30	30	35	35	40	40	50
Lk, pitch circle diameter	75	85	100	110	125	145	160	180	210	240	295
M, screw size	M12	M12	M16	M16	M12	M16	M16	M16	M16	M20	M20
No of holes	4	4	4	4	4	4	8	8	8	8	8
Weight [kg]	2,0	2,5	4,0	4,5	5,0	6,0	7,5	8,0	9,5	12,5	18,0

1. Bolt length for welded flanges according to DIN 2631/2632.



## Markings, mounting, and maintenance

The pipe connector is marked with DN and PN and can be mounted optionally. The pipe connector is maintenance free.

## Order Information

Pipe connector VM3901 in EPDM, DN....., PN 10 in wafer type design.

The technical design of the specified product here may be subject to change without notice — datasheet updated October 20, 2014