

Needle Valve VM 1102

stainless steel | DN 6-25 | PN 400 | female thread



General

- » Needle valve for liquids, steam, and gases.
- » One piece body construction.
- » Handwheel.
- » A small orifice plus that the force advantage of the fine threaded stem is high makes the needle valve easy to shut off completely.

Options

- » Brass, VM 1100.
- » Stainless steel EN 1.4104, VM 1101.
- » Male thread.
- » NPT thread.
- » Locked box nut.



Technical Data

Dimension DN	6	8	10	15	20	25
Pressure rating PN	400	400	400	400	400	400
Kv-value m ³ /h	0,30	0,42	0,48	0,54	1,20	1,45

Max Working Pressure bar (e) at Different Temperatures

Temperature °C	+20°C	+125°C	+200°C	+300°C
Working pressure bar (e)	400	160	125	20

Materials

Body	stainless steel EN 1.4404
Stem	stainless steel EN 1.4404
Packing	graphite
Handwheel	steel plate

The technical design of the specified product here may be subject to change without notice — datasheet updated October 17 2002

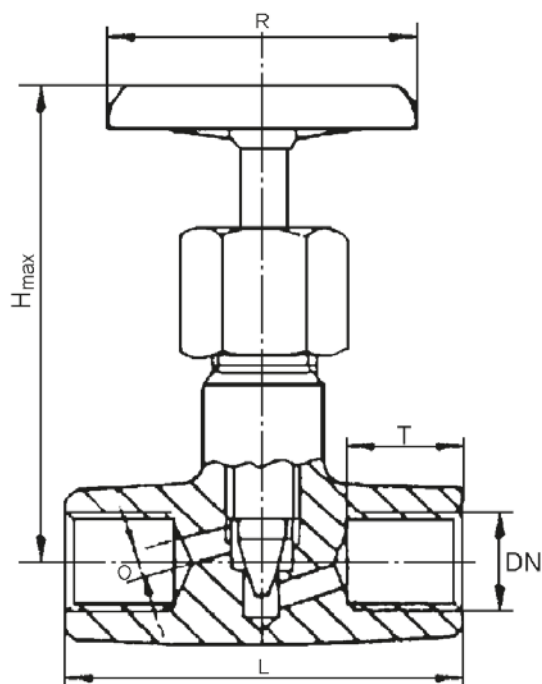
Needle Valve VM 1102

stainless steel | DN 6-25 | PN 400 | female thread



Dimensions [mm] and Weight

Dimension DN	6	8	10	15	20	25
L	60	60	60	60	70	78
H	85	85	85	85	100	110
T	12	14	15	16	18	20
O	4	5	5	5	8	10
R	65	65	65	65	85	100
Weight [kg]	0,42	0,40	0,38	0,34	0,90	1,05



Markings

The valve is marked with DN, PN, producer, and flow direction arrow.

Mounting

Optional. Note the flow direction arrow.

Maintenance

The valve is maintenance free. It is recommended that the valve is exercised regularly for best function.

Order Information

Needle valve VM 1102 in stainless steel DN....., PN 400 with female threads.

The technical design of the specified product here may be subject to change without notice — datasheet updated October 17 2002