

Sight Glass VM6463

steel | frame 170-930mm | PN 16 | welding



General

- » Rectangular welding sight glass.
- » Consists of a base frame and a cover frame, with glass made of borosilicate glass according to DIN 7081, max temperature +280°C.

Options

- » Base frame in stainless steel, VM6464.
- » Higher working pressure.
- » Light.
- » Screen viper.
- » Spray device.
- » Round sight glass.

Technical Data

Frame width mm	170	220	250	310	370	500	620	740	930
Pressure rating PN	16	16	16	16	16	16	16	16	16
Max. temperature °C	+280	+280	+280	+280	+280	+280	+280	+280	+280



Max Working Pressure bar (e) at Different Temperatures

Temperature °C	+20°C	+120°C	+200°C	+250°C	+280°C
Working pressure bar (e)	16	16	14	13	11

Materials

Base frame	steel 1.0038
Cover frame	steel 1.0038
Seal	uni-blau
Glass	borosilicate glass
Stud bolt	steel 5,6
Nut	steel 5,2

The technical design of the specified product here may be subject to change without notice — datasheet updated March 23 2017

Sight Glass VM6463

steel | frame 170-930mm | PN16 | welding

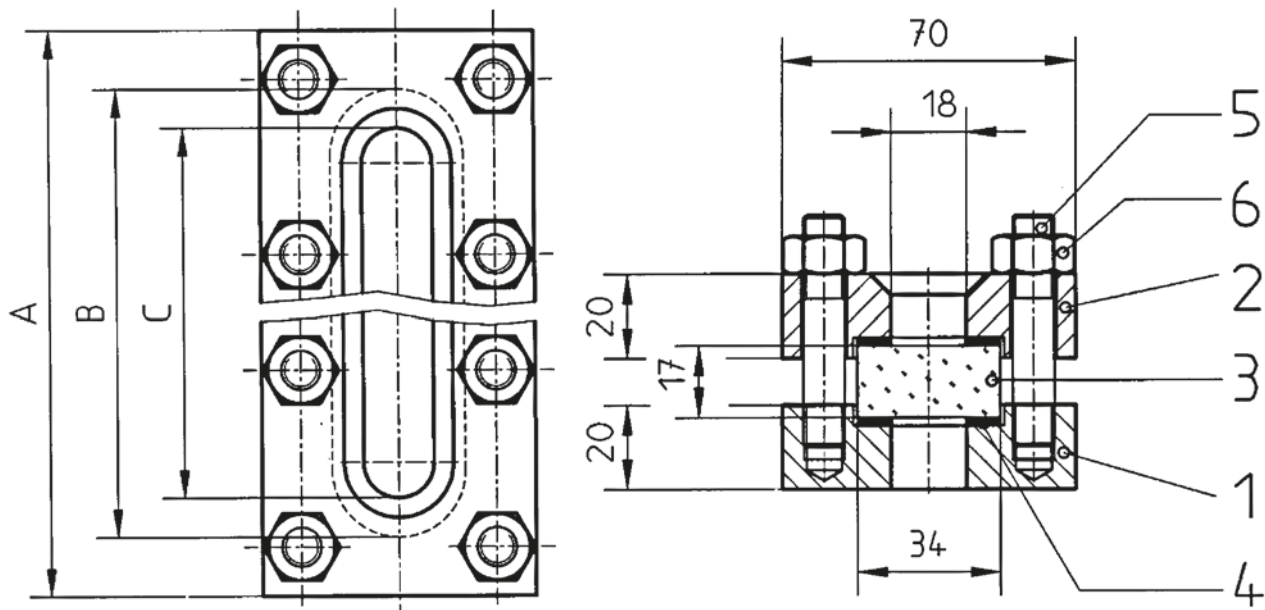


Dimensions [mm] and Weight

A, frame width	170	220	250	310	370	500	620	740	930
B	140	190	220	280	340	2x220	2x280	2x340	3x280
C	120	170	200	260	320	450	570	690	880
Stud bolt	8xM10	10xM10	12xM10	14xM10	16xM10	24xM10	28xM10	32xM10	42xM10
Weight [kg]	3,2	4,0	4,5	5,5	6,5	9,0	11,0	13,0	16,5

Details

1	Base frame
2	Cover frame
3	Glass
4	Seal
5	Stud bolt
6	Nut



Markings

The sight glass is marked with DN, PN, materials, and producer.

Order Information

Sight glass VM6463 in steel, frame width....., PN 16.

The technical design of the specified product here may be subject to change without notice — datasheet updated March 23 2017