

General

- » Flexible coupling for connecting pipes of the same size.
- » Suitable for water treatment and distribution, industry, shipbuilding, construction, and power stations.
- » Only one locking point.
- » As the pressure rises, the seal is increased proportionately. The coupling adapts automatically to internal pressure changes.
- » Simple and quick to install.



Options

- » Up to DN 3000.
- » Higher working pressure.
- » Stainless steel 1.4404/1.4401.
- » DN 500-1500 in steel 1.0570.
- » Seal in NBR for -20°C to +80°C.
- » Seal in red silicone for gases from -55°C to +240°C.
- » Seal in blue silicone for liquids from -55°C to +200°C.
- » Internal band; couplings applied on vacuum lines or with vacuum risk require an internal band unless gaps between pipes can be avoided.
- » Pot water approval.
- » Gas approval.
- » Designed for vacuum lines.

Technical Data

Dimension DN	40	50	65	80	100	125	150	200	250	300	350	400	500	600	700	800	900	1000
Pressure dy ¹ mm-pipes bar	-	45	30	30	30	20	20	18	15	12	11	9	8	6	-	-	-	-
Pressure dy ² ISO-pipes bar	45	40	30	30	30	20	23	18	15	12	11	9	8	6	6	5	6	5
Min. temperature °C	-20	-20	-20	-20	-20	-20	-20	-20	-20	-20	-20	-20	-20	-20	-20	-20	-20	-20
Max. temperature °C	+100	+100	+100	+100	+100	+100	+100	+100	+100	+100	+100	+100	+100	+100	+100	+100	+100	+100
Max angular deflection °	4	4	4	4	4	4	4	2	2	2	2	2	2	2	2	2	2	2
Test pressure	1,5 x working pressure																	

Materials

Coupling	stainless steel 1.4307
Locking bolt	stainless steel 1.4301/1.4307
Seal	EPDM

Coupling VM8102

stainless steel | DN 40-1000 | working pressure 45/5 bar



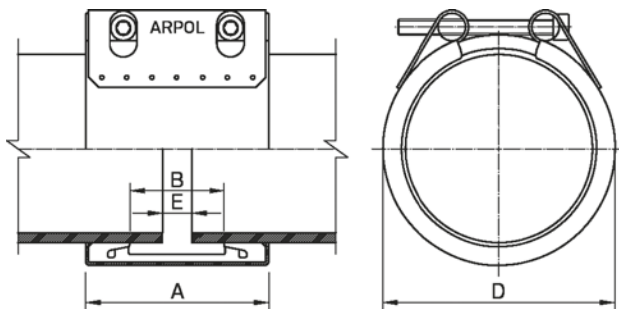
Dimensions [mm] and Weight mm-pipes, Dy-Range on Request

Dimension DN	50	65	80	100	125	150	200	250	300	350	400	500	600
Pipes Dy	54	69	84	104	129	154	206	256	306	356	406	506	606
A	78	94	94	95	95	95	139	139	139	139	139	139	139
D	73	98,1	106	126	125	176	229	279	329	379	429	529	629
B	31	45	45	45	45	45	86	86	86	86	86	86	86
E permitted gap	5	5	5	5	5	5	10	10	10	10	10	10	10
Bolts [M]	8	8	8	8	8	8	10	10	10	10	10	10	10
Torque [Nm]	7	7	7	10	10	10	20	20	25	30	30	30	30
Weight [kg]	0,8	1,1	1,2	1,3	1,5	1,7	3,8	4,3	4,7	5,2	5,7	6,7	7,6

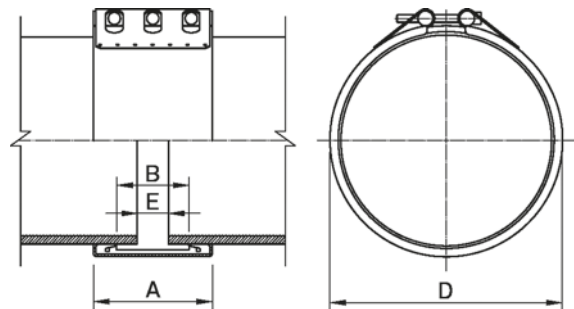
Dimensions [mm] and Weight ISO-pipes, Dy-Range on Request

Dimension DN	40	50	65	80	100	125	150	200	250	300	350	400	500	600	700	800	900	1000
Pipes Dy	48,3	60,3	76,1	88,9	114,3	139,7	168,3	219,1	273	323,9	355,6	406,4	508	610	711	813	914	1016
A	78	78	94	94	95	95	139	139	139	139	139	139	139	139	139	139	140	140
D	67,3	79,3	98,1	110,9	136,3	161,7	191,3	242,1	296	346,9	378,6	429,4	531	633	734	836	937	1039
B	31	31	45	45	45	45	86	86	86	86	86	86	86	86	86	86	86	86
E permitted gap	5	5	5	5	5	5	10	10	10	10	10	10	10	10	10	10	10	10
Bolts [M]	8	8	8	8	8	8	10	10	10	10	10	10	10	10	10	10	12	12
Torque [Nm]	7	7	7	7	10	10	20	20	20	25	30	30	30	30	35	40	60	70
Weight [kg]	0,6	0,8	1,1	1,2	1,4	1,6	3,3	3,8	4,3	4,7	5,2	5,7	6,7	7,6	8,6	12,4	13,6	14,8

mm-pipes: DN 50-150 | ISO-pipes: DN 40-150



mm-pipes: DN 200-600 | ISO-pipes: DN 200-1000



Markings and Maintenance

The coupling is marked with outside diameter of the pipes to be joined, producer, working pressure (bar), test pressure = 1,5 x working pressure, and torque value (Nm). The coupling is maintenance free.

Order Information

Coupling VM8101 in stainless steel, DN, Dy, working pressure [bar], torque [Nm]

The technical design of the specified product here may be subject to change without notice — datasheet updated July 8, 2016