

Needle Valve VM1104

steel | DN 10-15 | PN 100 | butt welded end



General

- » Needle valve for liquids, steam, and gases.
- » One piece body construction.
- » Handwheel.
- » A small orifice plus that the force advantage of the fine threaded stem is high makes the needle valve easy to shut off completely.

Options

- » Locked box nut.



Technical Data

Dimension DN	10	15
Pressure rating PN	100	100
Max. temperature °C	+300	+300
Kv-value m ³ /h	0,48	0,54

Max Working Pressure bar (e) at Different Temperatures

Temperature °C	+20°C	+300°C
Operating pressure bar (e)	100	40

Materials

Body	steel 1.0460
Stem	stainless steel 1.4021
Packing	graphite
Handwheel	steel plate

The technical design of the specified product here may be subject to change without notice — datasheet updated March 11, 2009

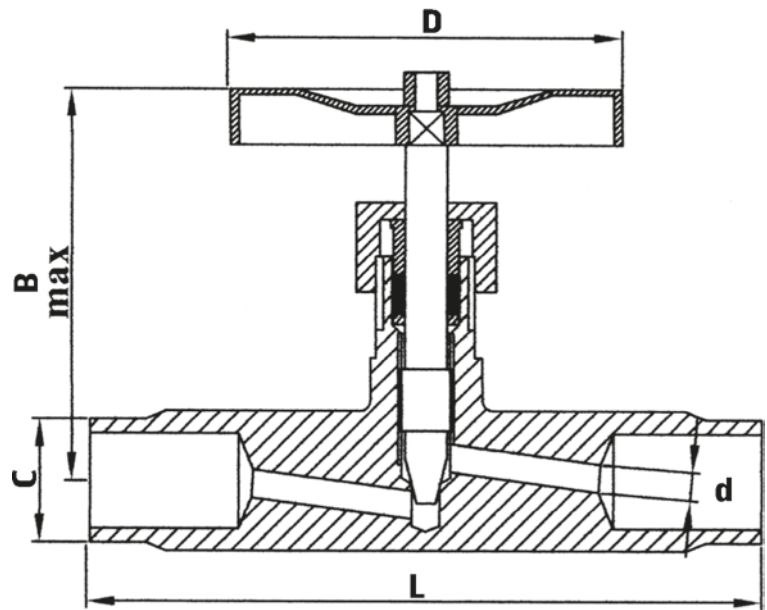
Needle Valve VM1104

steel | DN 10-15 | PN 100 | butt welded end



Dimensions [mm] and Weight

Dimension DN	10	15
L	120	120
B	85	85
D	70	70
C	18	22
d	5	5
Weight [kg]	0,38	0,34



Markings

The valve is marked with DN, PN, producer, and flow direction arrow.

Mounting

Optional. Consider the flow direction arrow.

Maintenance

The valve is maintenance free. It is recommended that the valve is exercised regularly for best function.

Order Information

Needle valve VM1104 in steel, DN....., PN 100 with butt welded ends.