

Pressure Gauge VM9701

steel plate | Ø40-Ø100 | 0-160 bar | not liquid filled



General

- » Pressure gauge suitable for air, non aggressive liquids, and gases.
- » For industrial- and HVAC applications.
- » Body size Ø40 mm with connection G $\frac{1}{8}$ ".
- » Body size Ø50 mm with connection G $\frac{1}{4}$ ".
- » Body size Ø63 mm with connection G $\frac{1}{4}$ ".
- » Body size Ø100 mm with connection G $\frac{3}{8}$ ".
- » Double scale in pascal/bar or bar/psi.
- » Many choices of connections and ranges.



Options

- » Other materials.
- » Body size Ø100 mm with connection G $\frac{1}{4}$ " or G $\frac{1}{2}$ ".
- » Other sizes.
- » Other connections, for example NPT.
- » Special scales with logotypes or color markings.
- » Other accuracy.
- » Liquid filled.

Materials and Technical Data

Materials	body in steel plate Bourdon-tube in Cu-alloy wetted parts in brass movement in Cu-alloy window in acrylic glass
Accuracy	Ø40 mm Class 2,5 % Ø50 mm Class 1,6 % Ø63 mm Class 1,6 % Ø100 mm Class 1,6 %
Process temperature	Ø40-Ø63 mm max +60°C Ø100 mm max +120°C
Ambient temperature	-40°C to +65°C
Process pressure	max 75% of full scale valve

Scale Ranges [bar]

0-1	-1 / 0
0-1,6	-1 / +1
0-2,5	-1 / +1,5
0-4	-1 / +3
0-6	-1 / +5
0-10	-1 / +9
0-16	-1 / +15
0-25	
0-40	
0-60	
0-100	
0-160	

The technical design of the specified product here may be subject to change without notice — datasheet updated January 27, 2012

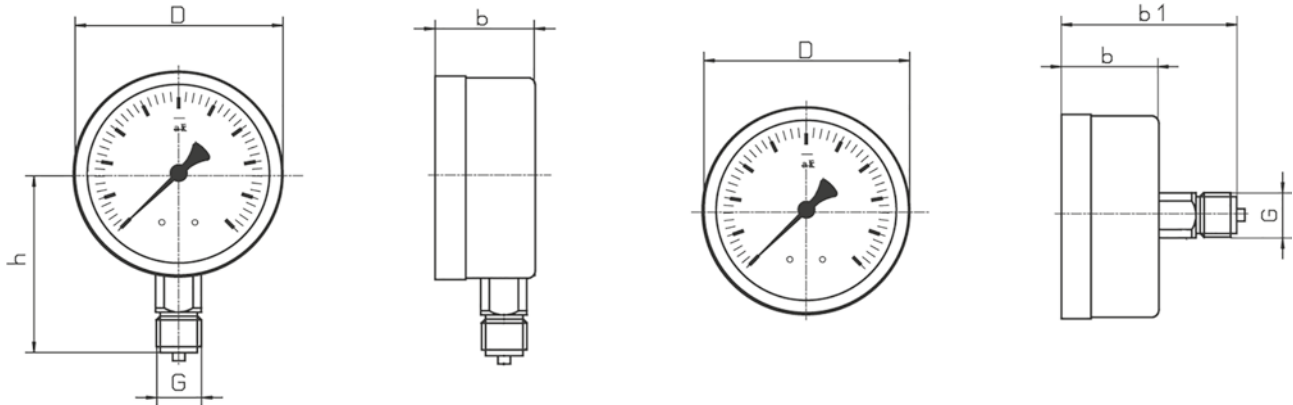
Pressure Gauge VM9701

steel plate | Ø40-Ø100 | 0-160 bar | not liquid filled



Dimensions [mm]

	Ø40	Ø50	Ø63	Ø100
D	Ø40	Ø50	Ø63	Ø100
b	24	29	31	31
b1	42	51	52	52
G	1/8"	1/4"	1/4"	3/8"
h	36	47	54	76



Mounting

Connection down or in the back depending on version

Maintenance

Connection downwards or backwards depending on version

Order Information

Pressure Meter VM9701 in steel plate, body size....., scale range.....,
State if the connection should be mounted down or in the back.

The technical design of the specified product here may be subject to change without notice — datasheet updated January 27, 2012