

Control Manometer Valve VM1113

stainless steel | DN 10-15 | PN 400 | female/male thread



General

- » Control manometer valve for liquids, steam, and gases.
- » Body and bonnet made in one piece.
- » Handwheel.
- » Rising stem.
- » Connection device for mounting of pressure meter.
- » Maintenance free.
- » Easy to operate.

Options

- » Brass SS 5170 or stainless steel 1.104.
- » NPT-thread.
- » Locked box nut.



Technical Data

Dimension DN	10	15
Pressure rating PN	400	400
Kv-value m ³ /h	0,25	0,25

Max. Operating Pressure bar (e) at Different Temperatures

Temperature °C	+20°C	+125°C	+200°C	+300°C
Operating pressure bar (e)	400	160	125	20

Materials

Body	stainless steel 1.4404
Stem	stainless steel 1.4460
Gland	stainless steel 1.4404
Nut	stainless steel 1.4404
Packing	graphite
Handwheel	steel plate

The technical design of the specified product here may be subject to change without notice — datasheet updated September 1, 2003

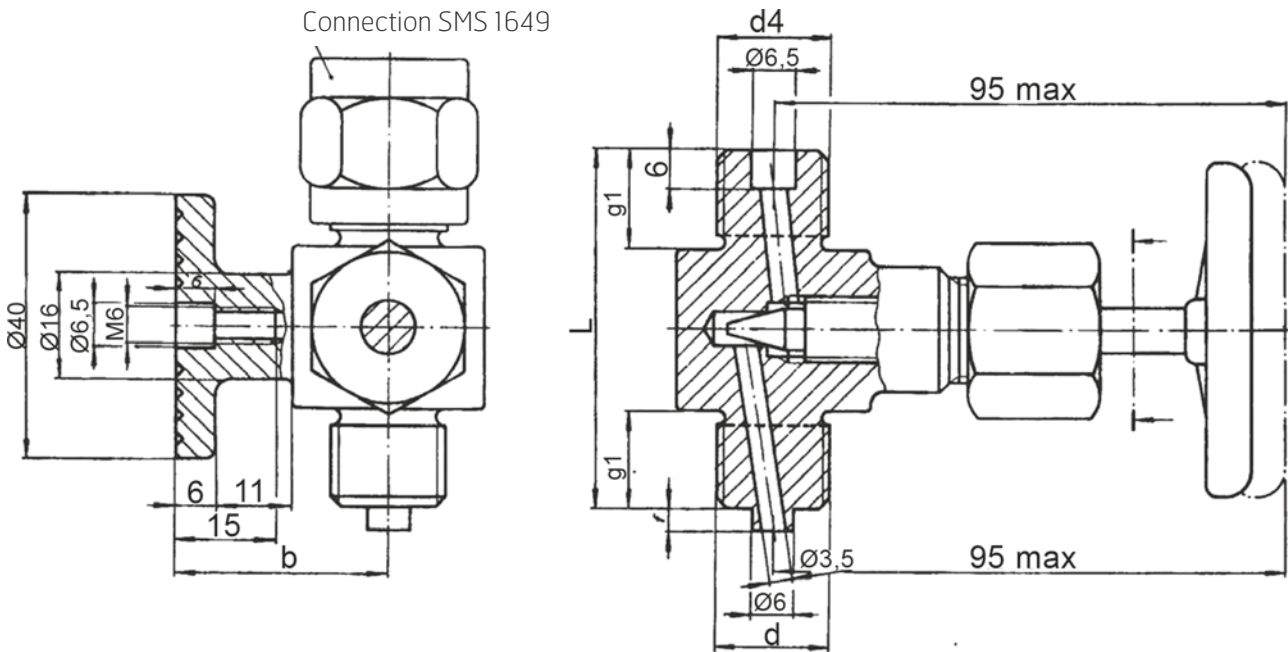
Control Manometer Valve VM1113

stainless steel | DN 10-15 | PN 400 | female/male thread



Dimensions [mm] and Weight

Dimension DN	8	10	15
L	50	54	64
d (thread, inches)	1/4"	3/8"	1/2"
d4 (thread, inches)	1/4" left	3/8" left	1/2" left
g1	13	15	20
b	31	31	34
Connection DN/DN	8/8	10/10	15/15
Weight [kg]	0,35	0,40	0,51



Markings

The valve is marked with DN, PN, producer, and flow direction arrow.

Mounting

Optional, note the flow direction arrow.

Maintenance

The valve is maintenance free. It is recommended that the valve is exercised regularly for best function.

Order Information

Control manometer valve VM1113 in stainless steel, DN....., PN 400 in female/male threaded design.

The technical design of the specified product here may be subject to change without notice — datasheet updated September 1, 2003