

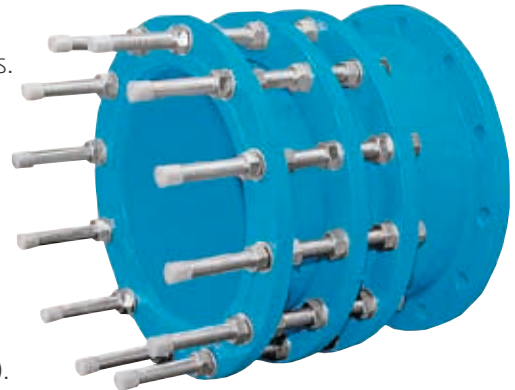
Dismantling Joint VM3186

steel | DN 50-800 | PN 10 | flange



General

- » Dismantling joint for liquids .
- » Designed to facilitate the removal of flanged valves from pipelines.
- » Can increase and decrease the distance between valve and pipeline with max ± 25 mm.
- » With 4 flanges.
- » Lockable.
- » All metal parts epoxy coated.
- » Flange according to EN 1092-2 Form B RF.
- » Drinking water approved parts acc. to WRAS EN 681 (KTW/W270).



Options

- » DN 900-1600, customer wishes.
- » PN 16, PN 25, PN 40.
- » Ductile iron.
- » Tie-rod, washer, and nut in stainless steel.
- » Other flange standards.
- » Other temperatures on request.

Technical Data

Dimension DN	50	65	80	100	125	150	200	250	300	350	400	450	500	600	700	800
Pressure rating PN	10	10	10	10	10	10	10	10	10	10	10	10	10	10	10	10
Min. temperature ¹ °C	0	0	0	0	0	0	0	0	0	0	0	0	0	0	0	0
Max. temperature ¹ °C	+50	+50	+50	+50	+50	+50	+50	+50	+50	+50	+50	+50	+50	+50	+50	+50

1. For media drinking water.

Materials

Body	steel EN 10025
Gasket	EPDM, WRAS EN 681 drinking water approved (KTW/W270)
Tie-rod	hot-dip galvanized steel/electroplated steel
Washer	hot-dip galvanized steel
Nut	hot-dip galvanized steel
Corrosion protection	epoxy EKB, blue RAL 5015, WRAS (KTW/W270) drinking water approved

The technical design of the specified product here may be subject to change without notice — datasheet updated June 11, 2019

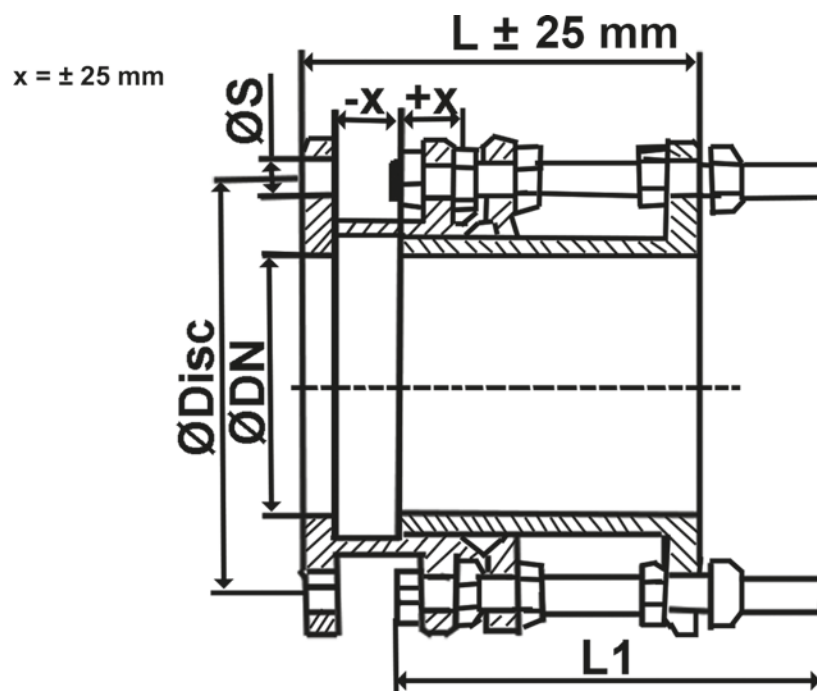
Dismantling Joint VM3186

steel | DN 50-800 | PN 10 | flange



Dimensions [mm] and Weight

Dimension DN	50	65	80	100	125	150	200	250	300	350	400	450	500	600	700	800
L	300	300	300	300	300	350	350	350	350	350	375	375	375	400	400	450
L1	250	250	250	250	250	290	290	290	290	290	320	320	320	340	340	380
Ø Disc	125	145	160	180	210	240	295	350	400	460	515	565	620	725	840	950
s	18	18	18	18	18	22	22	22	22	22	26	26	26	30	30	33
Number of tie-rods	4	4	8	8	8	8	12	12	12	16	16	20	20	20	24	24
Tie-rods diameter	M16	M16	M16	M16	M16	M20	M20	M20	M20	M20	M24	M24	M24	M27	M27	M30
Weight [kg]	15	17	20	26	31	41	56	73	84	114	148	169	187	236	289	405



Markings

The dismantling joint is marked with DN, PN, materials and producer.

Mounting

Optional.

We recommend using steel-reinforced rubber seals according to DIN EN 1514-1 Shape IBC.

If you use raised face flanges these seals are mandatory.

Order Information

Dismantling joint VM3186 in ductile iron-steel, DN....., PN 10 in flanged design.

The technical design of the specified product here may be subject to change without notice — datasheet updated June 11, 2019