

Solenoid Valve VM8653

3/2-way | direct acting | normally closed | G 1/8"



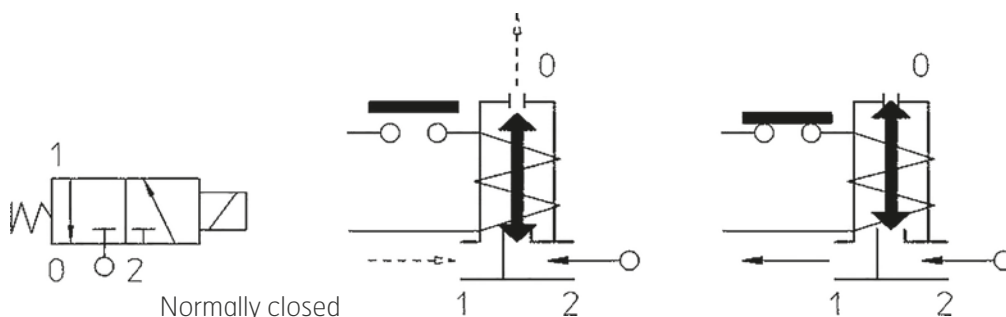
General

- » Direct acting solenoid valve for fluids compatible with the construction materials.
- » Ambient temperature with cable contact max 60°C.
- » Protection degree IP 65 with coil fitted by connector.
- » Viscosity max ca 12mm²/s.
- » Body in brass CW617N.
- » Fixed core and plunger in stainless steel AISI series 400.
- » Seal in Viton® for temperatures -10°C to +140°C.
- » Maximum design pressure 40 bar.
- » Female thread according to ISO 228/1.
- » Standard voltages: 24 VAC, 110 VAC, 230 VAC, 24 VDC.



Options

- » Seal in NBR for temperatures from -10°C to +90°C.
- » Other voltages.
- » Manual override.
- » Coil 8W, VM8651.



Technical Data

Connection G [inches]	Code	Q [mm] Rport Ø1,5	Capacity		Power W		Maximum pressure drop [bar]		
			Liquid Kv [m ³ /h]	Gas Qn [l/min]	AC ¹	DC ²	Min.	Max.	
								AC	DC
1/8"	31JN1W0V12	1,2	0,06	64	5W coil	5W coil	0	15	15
1/8"	31JN1W0V23	2,3	0,14	150			0	5	5

1. In duty, standard voltages +10% - 5.

2. In duty, standard voltages +10% - 15%. 15 VA (inrush) and 11 VA (hold).

The technical design of the specified product here may be subject to change without notice — datasheet updated July 31, 2012

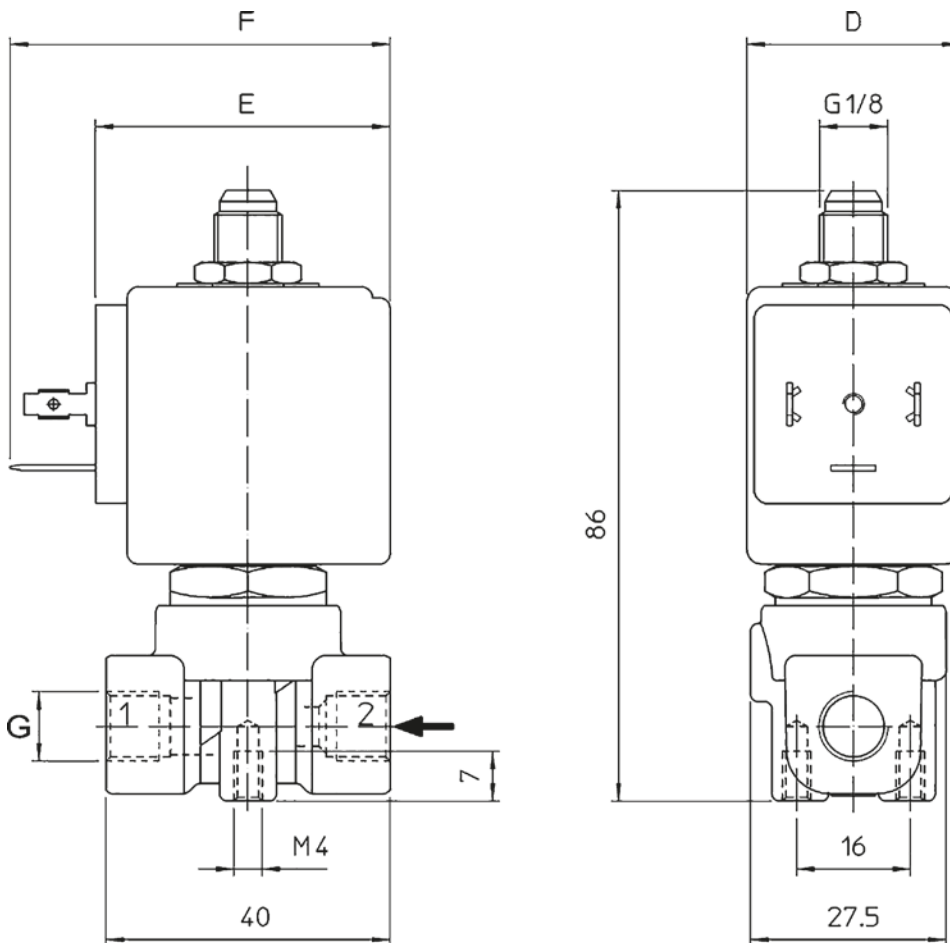
Solenoid Valve VM8653

3/2-way | direct acting | normally closed | G 1/8"



Dimensions [mm] and Weight

Dimension DN	6
Female thread G [inches]	1/8"
D	22
E	27,5
F	39,5
Weight [kg]	0,13



Mounting

Optional (vertical magnet system is recommended). Consider the flow direction arrow.

If polluted fluid, strainer type VM6381 is recommended.

When mounted direct to control system, use transient protection.

Order Information

Solenoid valve VM8653, code..... coil 5W.

Cable contact VM8700 should be ordered separately.

The technical design of the specified product here may be subject to change without notice — datasheet updated July 31, 2012