

Solenoid Valve VM 8621

2/2-way | combined operation | normally closed | G 3/8" - 1 1/2"



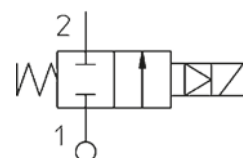
General

- » Combined operation solenoid valve for neutral liquids and gases.
- » Ambient temperature with cable contact max 60°C.
- » Protection degree IP 65 with coil fitted by connector.
- » Viscosity max ca 12mm²/s.
- » Body in brass CW617N.
- » Fixed core and plunger in stainless steel AISI series 400.
- » Seal in Viton® for temperatures from -10°C to +140°C.
- » Maximum design pressure 20 bar for G 3/8" - 1/2".
- » Maximum design pressure 16 bar for 3/4" - 1 1/2".
- » Female thread according to ISO 228/1.
- » Standard voltages: 24 VAC, 110 VAC, 230 VAC, 24 VDC.



Options

- » Seal in NBR for temperatures from -10°C to +90°C.
- » Seal in EPDM for temperatures from -10°C to +140°C.
- » Other voltages.
- » IP 67.



Normally closed

Technical Data

Connection G [inches]	Code	Q [mm]	Capacity		Power W		Maximum pressure drop [bar]		
			Liquid Kv [m ³ /h]	Gas Qn [l/min]	DC ¹	AC ²	Min.	Max.	
								DC 8W/14W	AC 8W/14W
3/8"	21H11KOV120	12	1,6	1724	8 W coil or 14 W coil	8 W coil or 14 W coil	0	1,5/15	16/20
1/2"	21H12KOV120	12	1,9	2048			0	1,5/15	16/20
3/4"	21HF5KOV200	20	7,0	7760			0	6/16	16/16
1"	21HF6KOV250	25	8,4	9055			0	5/16	16/16
1 1/4"	21HF7KOV350	35	16,2	17463			0	-/6	16/16
1 1/2"	21HF8KOV400	40	16,8	18110			0	-/6	16/16

1. In duty, standard voltages +10% - 5%.

2. In duty, standard voltages +10% - 15%. 8W coil; 25 VA (inrush) and 14,5 VA (hold). 14W coil; 43 VA (inrush) and 27 VA (hold).

The technical design of the specified product here may be subject to change without notice — datasheet updated July 30, 2012

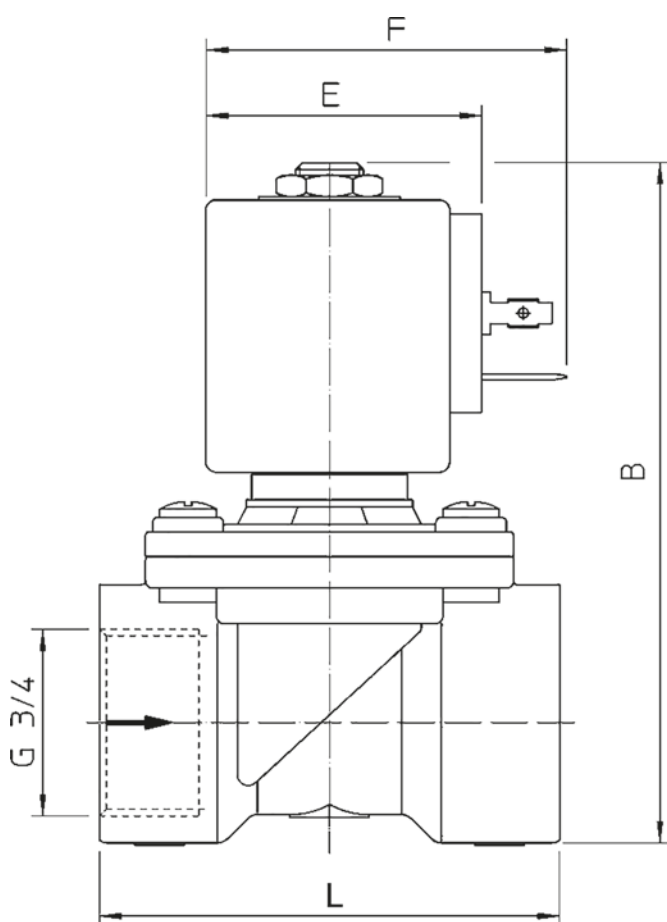
Solenoid Valve VM 8621

2/2-way | combined operation | normally closed | G 3/8" - 1 1/2"

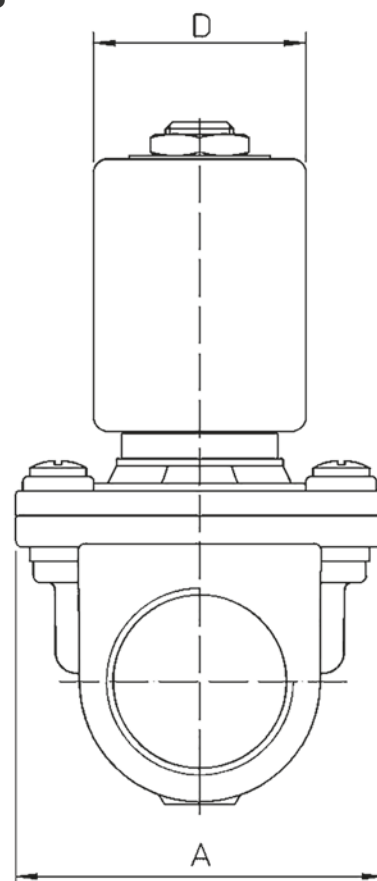


Dimensions [mm] and Weight 8W/14W

Dimension DN	10	15
Female thread G [inches]	3/8"	1/2"
L	50	50
A	40	40
B	100	100
D	30/52	30/52
E	42/55	42/55
F	54/67	54/67
Weight [kg]	0,4/0,7	0,4/0,7



DN 10-15



The technical design of the specified product here may be subject to change without notice — datasheet updated July 30, 2012

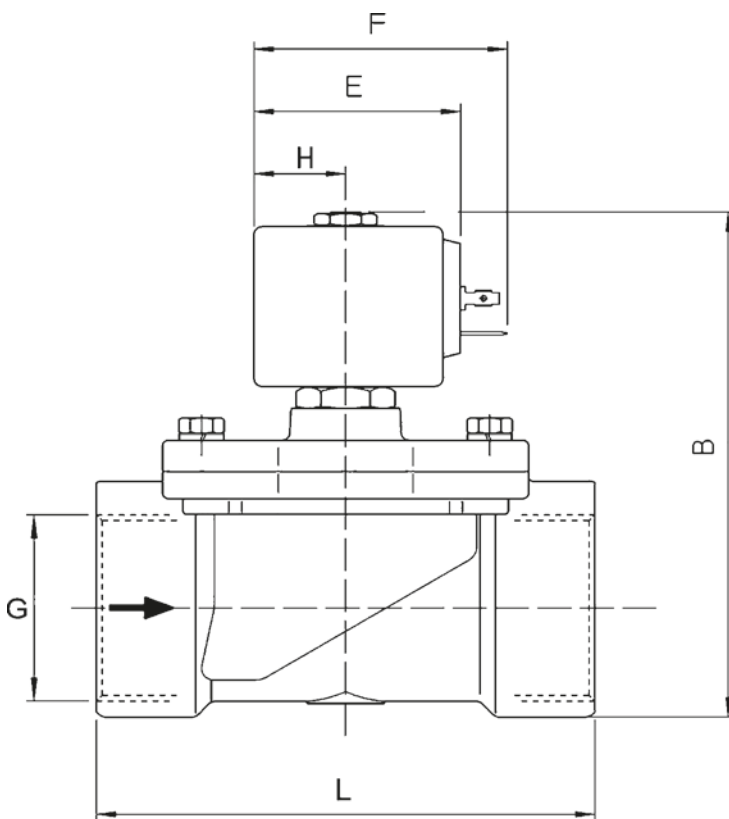
Solenoid Valve VM 8621

2/2-way | combined operation | normally closed | G 3/8" - 1 1/2"

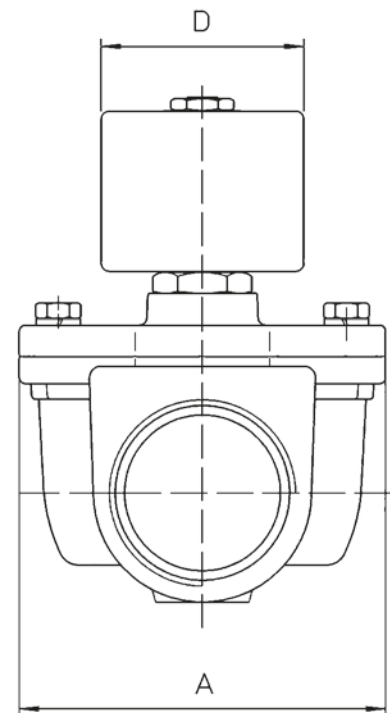


Dimensions [mm] and Weight 8W/14W

Dimension DN	20	25	32	40
Female thread G [inches]	3/4"	1"	1 1/4"	1 1/2"
L	104	104	128	128
A	65	65	94	94
B	103	110	130	130
D	30/52	30/52	30/52	30/52
E	42/55	42/55	42/55	42/55
F	54/67	54/67	54/67	54/67
H	20,5/25	20,5/25	20,5/25	20,5/25
Weight [kg]	1,0/1,3	1,1/1,4	2,5/2,8	2,7/3,0



DN 20-40



Mounting

Optional (vertical magnet system is recommended). Consider the flow direction arrow.

If polluted fluid, strainer type VM 6381 is recommended.

When mounted direct to control system, use transient protection.

Order Information

Solenoid valve VM 8621, code..... coil..... W.

Cable contact VM 8700 should be ordered separately.

The technical design of the specified product here may be subject to change without notice — datasheet updated July 30, 2012