

Manometer Valve VM1116

stainless steel | DN 10-15 | PN 400 | female/male thread



General

- » Manometer valve for liquids, steam, and gases.
- » One piece body construction.
- » Handwheel.
- » Rising stem.
- » Maintenance free.

Options

- » Brass, VM1114.
- » Stainless steel 1.4104, VM1115.
- » NPT-thread.
- » Locked box nut.



Technical Data

Dimension DN	10	15
Pressure rating PN	400	400
Kv-value m ³ /h	0,25	0,25

Max. Operating Pressure bar (e) at Different Temperatures

Temperature °C	+20°C	+125°C	+200°C	+300°C
Operating pressure bar (e)	400	160	125	20

Materials

Body	stainless steel 1.4404
Stem	stainless steel 1.4460
Gland	stainless steel 1.4404
Nut	stainless steel 1.4404
Packing	graphite
Handwheel	steel plate

The technical design of the specified product here may be subject to change without notice — datasheet updated October 18 2002

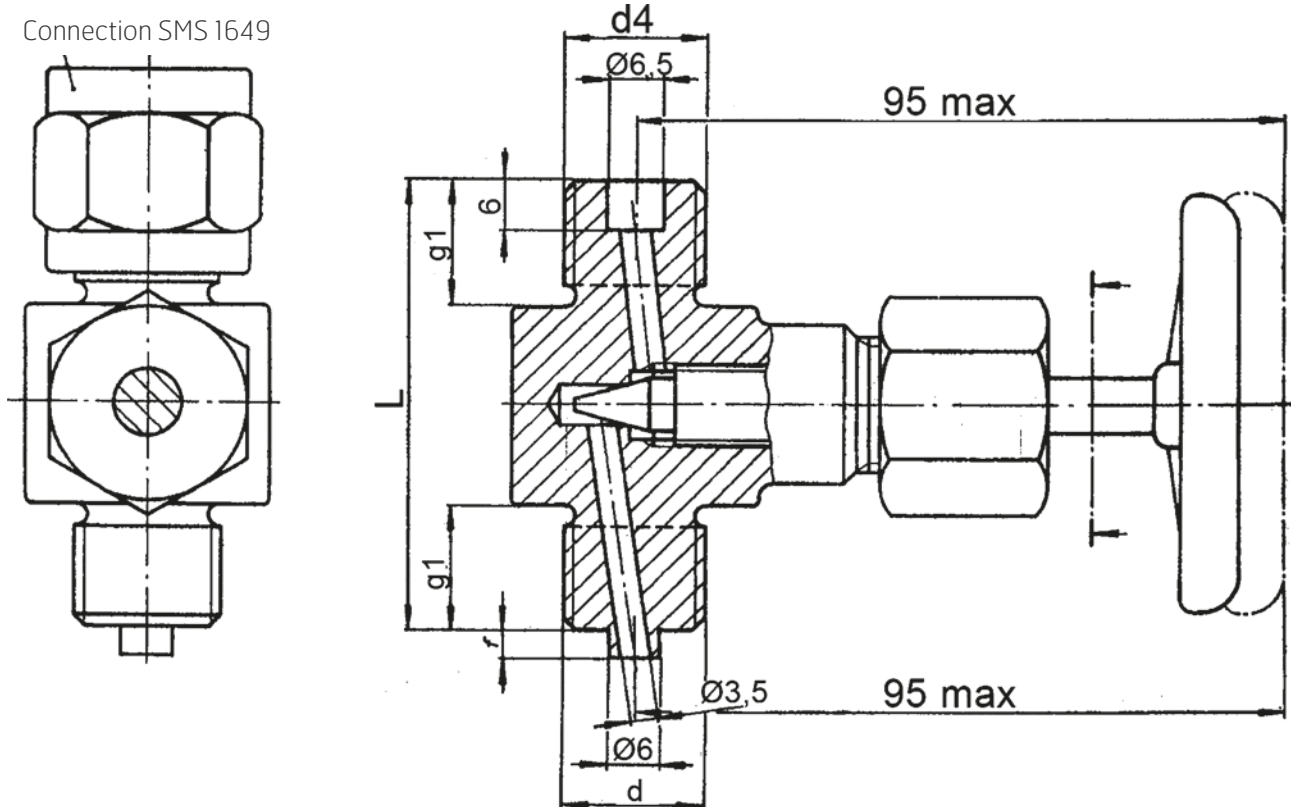
Manometer Valve VM1116

stainless steel | DN 10-15 | PN 400 | female/male thread



Dimensions [mm] and Weight

Dimension DN	8	10	15
L	50	54	64
d (thread, inches)	1/4"	3/8"	1/2"
d4 (thread, inches)	1/4" left	3/8" left	1/2" left
g1	13	15	20
Connection DN/DN	8/8	10/10	15/15
Weight [kg]	0,35	0,40	0,51



Markings

The valve is marked with DN, PN, producer, and flow direction arrow.

Mounting and Maintenance

Optional mounting. Note the flow direction arrow. The valve is maintenance free.

It is recommended that the valve is exercised regularly for best function.

Order Information

Manometer valve VM1116 in stainless steel, DN....., PN 400 in female/male threaded design.

The technical design of the specified product here may be subject to change without notice — datasheet updated October 18 2002