

General

- » Globe valve for liquids, steam, and gases.
- » Pressure rating PN 40.
- » Raising stem and handwheel.
- » High-tensile gland packing.
- » Relief cone DN 125-200.
- » Flange according to DIN EN 1092-1/2 (DIN 2545).
- » Leakage proof according to EN 12266-1, Rate A.

Options

- » Other materials for example ductile iron and stainless steel.
- » Other connections.
- » Y-type.
- » PN 25.
- » Soft sealing in PTFE.
- » Test TA-Luft.
- » Chain wheel.
- » Position indicator with locking device.
- » Extended stem.



Max Working Pressure bar (e) at Temperature

Temperature °C	-60°C to <-10°C	-10°C to +120°C	+150°C	+200°C	+250°C	+300°C	+350°C	+400°C	+450°C
Working pressure bar (e)	30	40	38,1	35	32	28	25,7	23,8	13,1

Relief Cone

DN	125	150	200	250	300	350	400	500
Working pressure bar (e)	25	21	14	9	6	4,5	3,5	1,5



A relief cone is necessary when the operational pressure exceeds given values in the table!

Materials

Body	steel 1.0619+N
Seat ring DN 15-50	stainless steel 1.0421+QT
Seat ring DN 65-500	stainless steel 1.4551
Bonnet DN 15-80	steel 1.0460
Bonnet DN 100-500	steel 1.0619+N
Stem	stainless steel 1.0421+QT
Plug DN 15-200	stainless steel 1.0421+QT
Plug DN 250-500	steel 1.0425
Seal	graphite
Handwheel	cast iron JL1040, epoxy painted FE 13

Globe Valve VM1811

steel | DN15-500 | PN 40 | flange



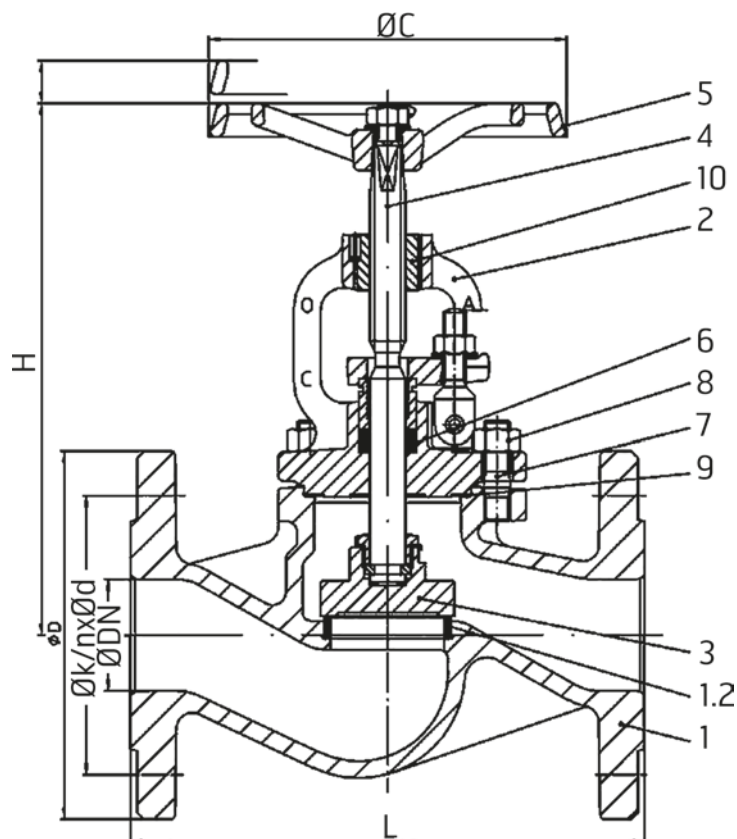
Dimensions [mm], kvs-value [m³/h] and Weight

DN	15	20	25	32	40	50	65	80	100	125	150	200	250	300	350	400	500
L	130	150	160	180	200	230	290	310	350	400	480	600	730	850	980	1100	1350*
H	185	185	205	205	230	230	270	305	355	395	450	570	685	770	860	865	995
ØC	120	120	140	140	160	160	180	200	225	250	400	520	520	520	640	640	640
Travel	9	9	13	13	21	19	28	32	36	52	56	73	80	110	116	126	181
D	95	105	115	140	150	165	185	200	235	270	300	375	450	515	580	660	755
K	65	75	85	100	110	125	145	160	190	220	250	320	385	480	510	585	670
n x Ød	4x14	4x14	4x14	4x18	4x18	4x18	8x18	8x18	8x22	8x26	8x26	12x30	12x33	16x33	16x36	16x39	20x42
Kvs-value m³/h	4,2	7,4	12	19	31	47	77	120	188	288	410	725	1145	1635	2220	3180	4530
Weight [kg]	4,8	5,4	7,1	8	11,5	13,5	23,5	28	39,5	61	84	170	283	414	557	857	1150

* According to producer standard.

Details

1	Body
1.2	Seat ring
2	Bonnet
3	Plug
4	Stem
5	Handwheel
6	Seal
7	Stud
8	Hexagon nut
9	Seal
10	Insert nuts



Markings

The valve is marked with DN, PN, materials, type no, CE (DN 32-500), production year, and flow direction arrow.

Mounting and Maintenance

Optional, note the flow direction arrow.

The valve is maintenance free. It is recommended that the valve is exercised regularly for best function.

Order Information

Globe valve VM1811 in steel, DN....., PN 40 in flanged design.

The technical design of the specified product here may be subject to change without notice — datasheet updated December 7, 2012