

# Ball Valve VM4208

dZR brass Dy 12-35 | red metal Dy 42-54 | PN 16 | compression end



## General

- » Ball valve for liquids and gases in tap water systems and heat systems.
- » Blow-out proof stem design.
- » Adjustable stuffing box.
- » Compressions ends according to EN 1254-2.
- » Materials approved for tap water pipes.
- » Long stem.

## Options

- » Ball in stainless steel 1.4401.
- » Short stem, VM4206.
- » Female threaded, VM4205.
- » Solder end, VM4212.
- » T-handle.



## Technical Data

|                            |      |      |      |      |      |      |      |      |
|----------------------------|------|------|------|------|------|------|------|------|
| Dy                         | 12   | 15   | 18   | 22   | 28   | 35   | 42   | 54   |
| Pressure rating PN         | 16   | 16   | 16   | 16   | 16   | 16   | 16   | 16   |
| Min. temperature °C        | -20  | -20  | -20  | -20  | -20  | -20  | -20  | -20  |
| Max. temperature °C        | +120 | +120 | +120 | +120 | +120 | +120 | +120 | +120 |
| Kv-value m <sup>3</sup> /h | 8    | 28   | 28   | 42   | 70   | 80   | 133  | 183  |

## Materials Dy 12-35

## Dy 42-54

|              |  |  |
|--------------|--|--|
| Body         | dezincification-resistant brass CW602N | red metal CB491K                       |
| Ball         | dezincification-resistant brass CW602N | dezincification-resistant brass CW602N |
| Stem         | dezincification-resistant brass CW602N | dezincification-resistant brass CW602N |
| End cap      | dezincification-resistant brass CW602N | red metal CB491K                       |
| Ball seat    | PTFE                                   | graphite                               |
| O-ring       | Viton®                                 | -                                      |
| Valve handle | steel 1.0332, white PVC cover          | steel 1.0332, white PVC cover          |

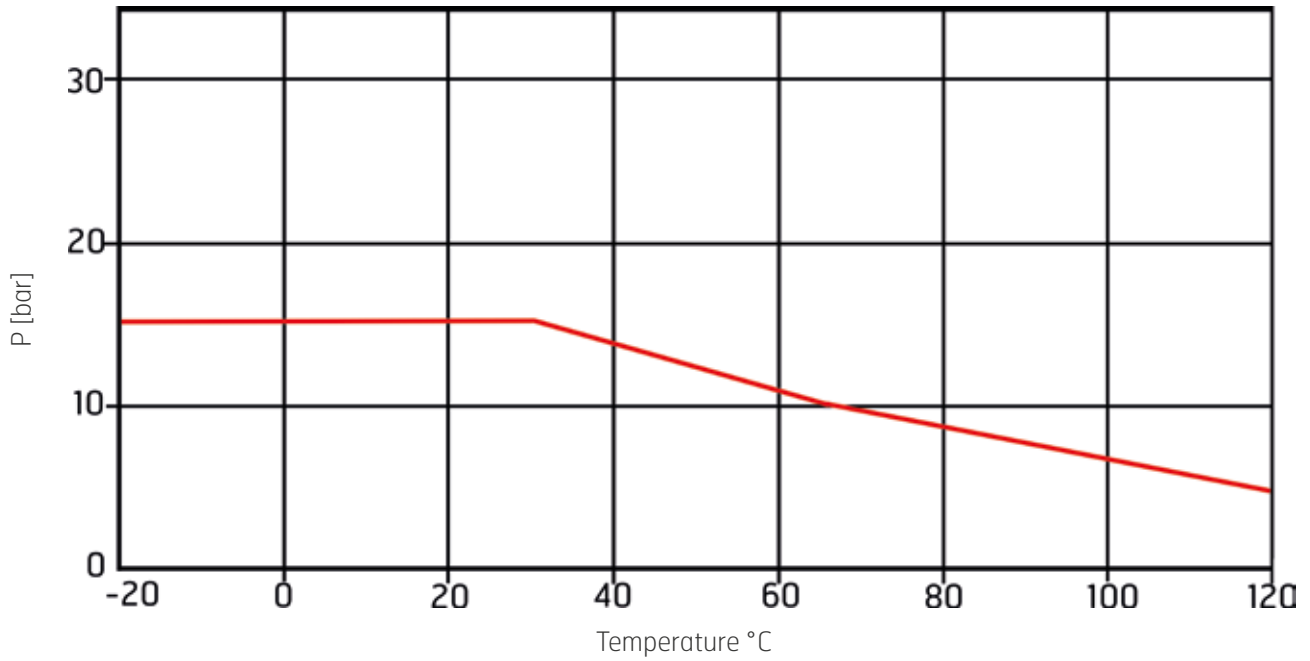
The technical design of the specified product here may be subject to change without notice — datasheet updated November 16, 2018

# Ball Valve VM4208

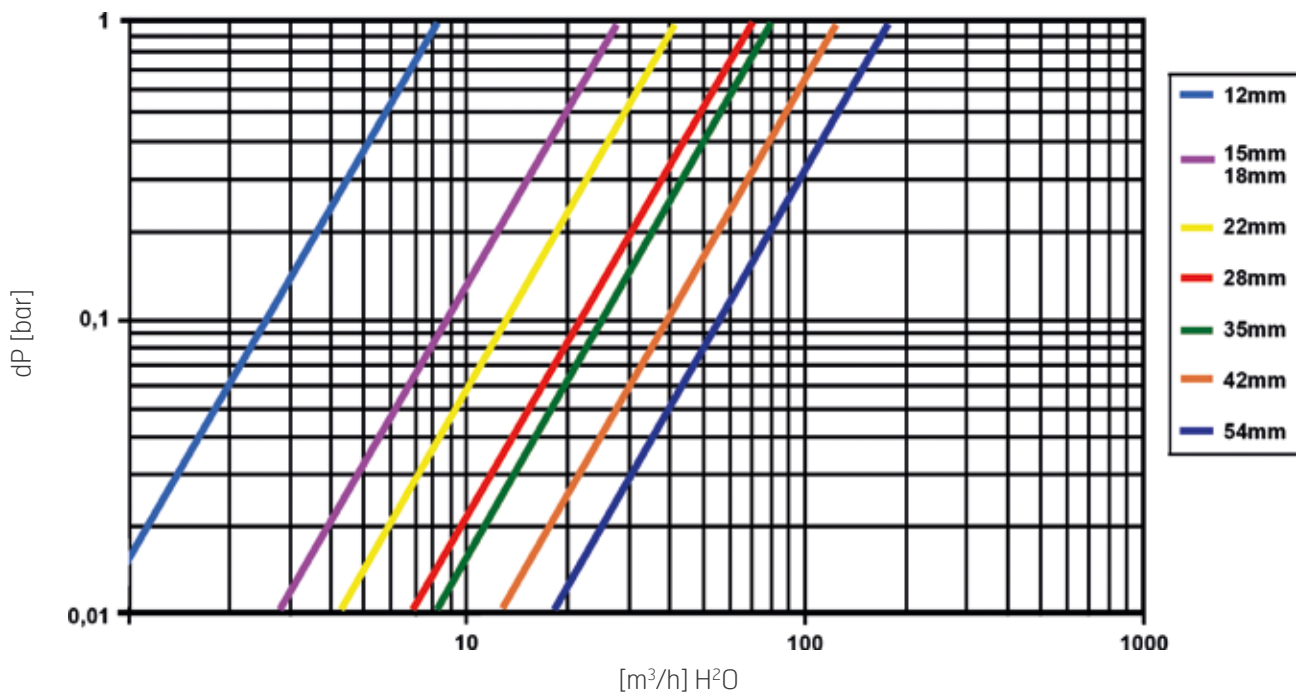
dzr brass Dy 12-35 | red metal Dy 42-54 | PN 16 | compression end



## Pressure/Temperature Diagram



## Pressure Drop Diagram



The technical design of the specified product here may be subject to change without notice — datasheet updated November 16, 2018

# Ball Valve VM4208

dZR brass Dy 12-35 | red metal Dy 42-54 | PN 16 | compression end



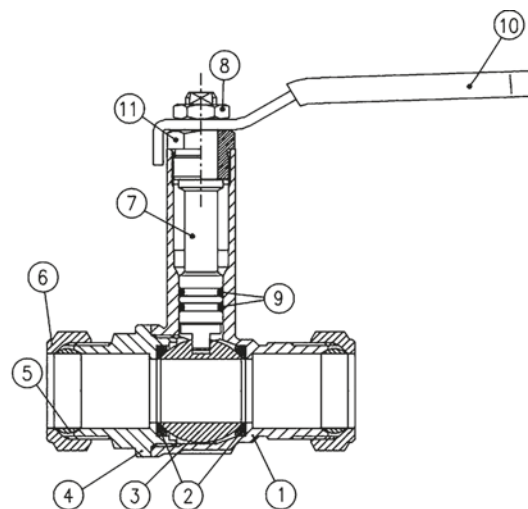
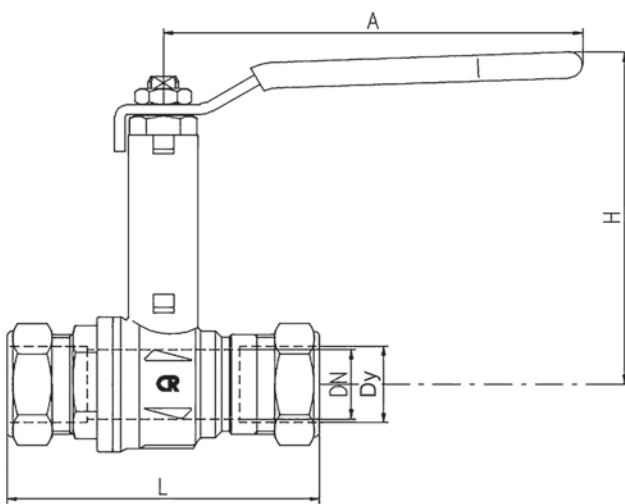
## Dimensions [mm] and Weight Dy 12-35

|             |      |      |      |      |      |      |
|-------------|------|------|------|------|------|------|
| Dy          | 12   | 15   | 18   | 22   | 28   | 35   |
| DN          | 10,5 | 13   | 15   | 19   | 24   | 30   |
| L           | 67   | 72   | 78,5 | 79   | 90,5 | 110  |
| A           | 100  | 100  | 100  | 120  | 120  | 158  |
| H           | 85   | 88   | 88   | 95   | 99   | 124  |
| CH          | 19   | 24   | 27   | 32   | 38,5 | 48   |
| Weight [kg] | 0,18 | 0,29 | 0,35 | 0,42 | 0,65 | 1,05 |

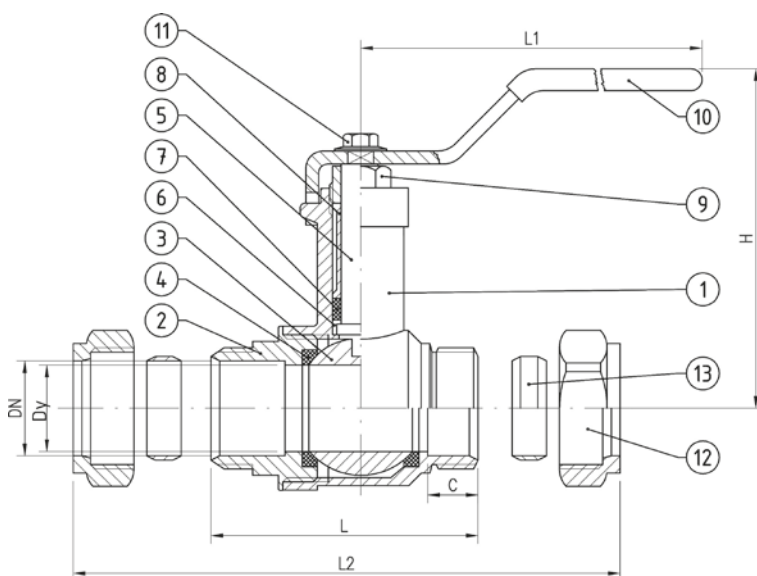
## Dimensions [mm] and Weight Dy 42-54

|           |      |      |
|-----------|------|------|
| Dy        | 42   | 54   |
| DN        | 40   | 50   |
| L         | 104  | 113  |
| L1        | 140  | 140  |
| L2        | 117  | 140  |
| H         | 96   | 105  |
| C         | 20   | 20   |
| Vikt [kg] | 1,44 | 2,11 |

### Dy 12-35



### Dy 42-54



#### Details Dy 12-35

- 1 Body
- 2 Ball seat
- 3 Ball
- 4 End cap
- 5 Olive
- 6 Nut
- 7 Stem
- 8 Nut
- 9 O-ring
- 10 Valve handle
- 11 Nut

#### Details Dy 42-54

- 1 Body
- 2 Body end
- 3 Ball
- 4 Ball seat
- 5 Stem
- 6 Support ring
- 7 Packing
- 8 Gland ext.
- 9 Nut
- 10 Valve handle
- 11 Screw
- 12 Nut
- 13 Olive

The technical design of the specified product here may be subject to change without notice — datasheet updated November 16, 2018

# Ball Valve VM4208

dZR brass Dy 12-35 | red metal Dy 42-54 | PN 16 | compression end



## Markings

The valve is marked with DN, PN, and producer.

## Mounting

Optional.

## Maintenance

The valve is maintenance free. It is recommended that the valve is exercised regularly for best function.

## Order Information

Dy 12-35: ball valve VM4208 in dezincification-resistant brass, Dy....., PN 16 with compression ends.

Dy 42-54: ball valve VM4208 in bronze, Dy....., PN 16 with compression ends.