

Ball Valve VM4203

dezincification-resistant brass | DN 10-50 | PN 30 | female thread



General

- » Ball valve for liquids and gases.
- » Blow-out proof stem.
- » Adjustable stuffing box.
- » Female thread according to ISO 228.
- » No metal-to-metal moving parts.

Options

- » DN 8, VM4203.
- » Ball and/or stem in stainless steel 1.4401.
- » Extended stem, VM4205.
- » Compression end, VM4206-VM4208.
- » Solder end, VM4212.
- » T-handle.



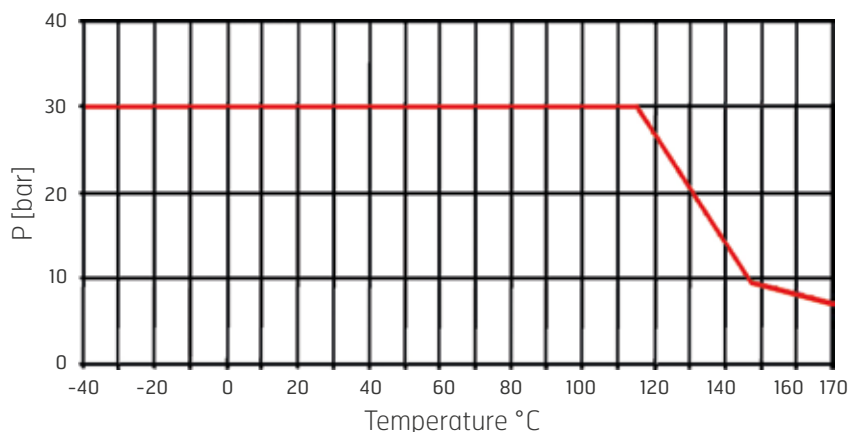
Technical Data

Dimension DN	10	15	20	25	32	40	50
Pressure rating PN	30	30	30	30	30	30	30
Min. temperature °C	-40	-40	-40	-40	-40	-40	-40
Max. temperature °C	+170	+170	+170	+170	+170	+170	+170
Kv-value m ³ /h	8	28	42	70	80	133	183

Materials

Body	dezincification-resistant brass CW602N
Ball	dezincification-resistant brass CW602NN
Stem	dezincification-resistant brass CW602N
End cap	dezincification-resistant brass CW602N
Ball seat	PTFE
O-ring	Viton®
Valve handle	steel 1.0332, white PVC cover

Pressure/Temperature Diagram



The technical design of the specified product here may be subject to change without notice — datasheet updated September 29, 2016

Ball Valve VM4203

dezincification-resistant brass | DN 10-50 | PN 30 | female thread

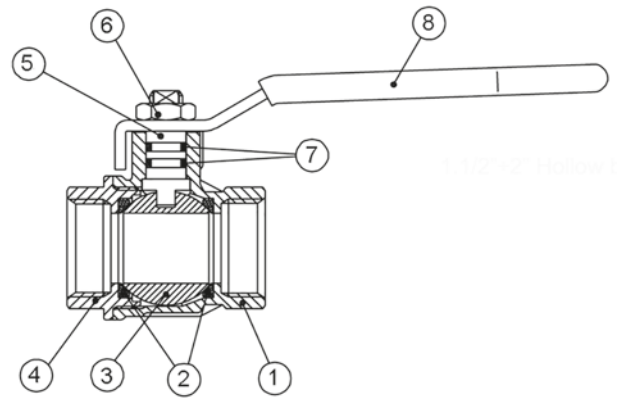
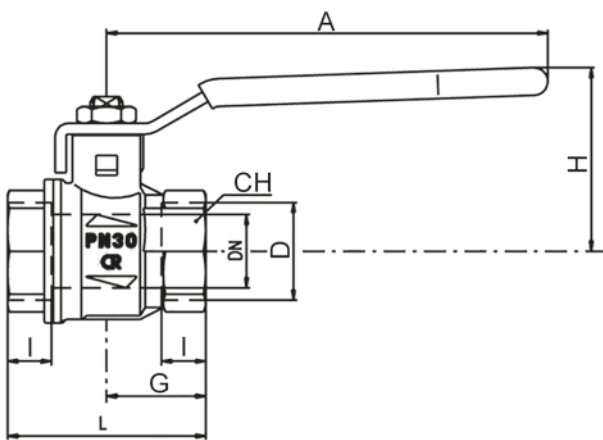


Dimensions [mm] and Weight

Dimension DN	10	15	20	25	32	40	50
L	39	50	54	67	77	90	106
I	9	11	12	14	15	17	19
G	19,5	25	27	33,5	38,5	45	53
A	100	100	120	120	158	158	158
D [inch]	3/8"	1/2"	3/4"	1"	1 1/4"	1 1/2"	2"
H	39	43	50	54	73	79	86
CH	20	25	31	38	48	54	66
Weight [kg]	0,1	0,3	0,4	0,6	1	1,3	2,1

Details

- 1 Body
- 2 Ball seat
- 3 Ball
- 4 End cap
- 5 Stem
- 6 Geomet® nut
- 7 O-ring
- 8 Valve handle
- 9 Unplated nut



Markings

The valve is marked with DN, PN, and producer.

Mounting

Optional.

Maintenance

The valve is maintenance free. It is recommended that the valve is exercised regularly for best function.

Order Information

Ball valve VM4203 in dezincification-resistant brass, DN....., PN 30 with female threads.

The technical design of the specified product here may be subject to change without notice — datasheet updated September 29, 2016