

Ball Valve VM4300

nickel plated brass | DN 10-50 | PN 65/40 | female thread



General

- » Ball valve for liquids and gases.
- » Adjustable stuffing box.
- » Full bore.
- » Blow-out proof stem design.
- » Extended female thread according to ISO 228.
- » Approved by DVGW.



Options

- » DN 8.
- » Ball in stainless steel 1.4401.
- » Oval lockable valve handle.
- » T-handle.
- » Pneumatic actuator or electric actuator.
- » Extended stem.
- » Limit switch.
- » Design for dangerous fluids, temperature rating -20°C to +60°C and pressure rating PN 5.

Technical Data

Dimension DN	10	15	20	25	32	40	50
Pressure rating PN	65	65	65	40	40	40	40
Min. temperature °C	-40	-40	-40	-40	-40	-40	-40
Max. temperature °C	+170	+170	+170	+170	+170	+170	+170
Kv-value m ³ /h	9,3	42	64	88	120	380	140

Materials

Body	nickel plated brass CW617N
Ball	nickel plated brass CW617N
Stem	nickel plated brass CW617N
End cap	nickel plated brass CW617N
Ball seat	PTFE
O-ring	Viton®
Valve handle	steel 1.0332, yellow PVC cover

The technical design of the specified product here may be subject to change without notice — datasheet updated October 3, 2016

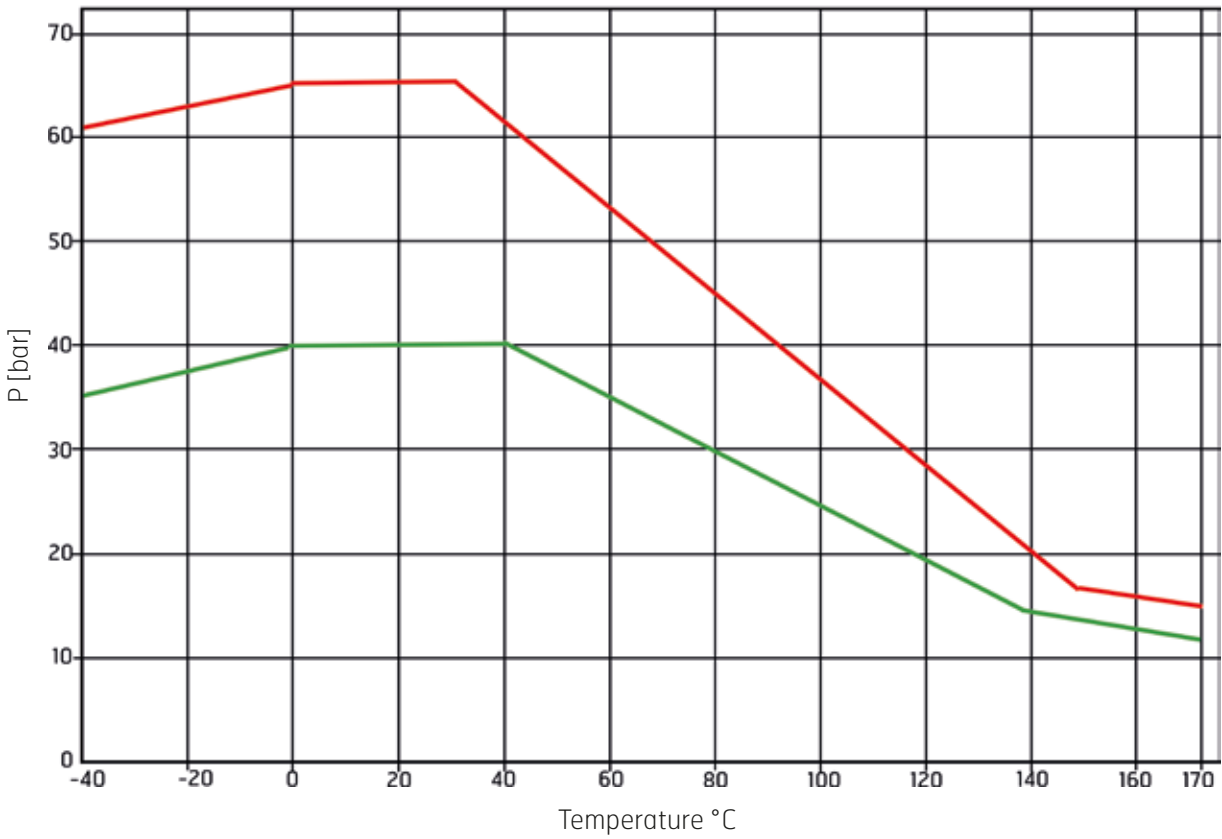
Ball Valve VM4300

nickel plated brass | DN 10-50 | PN 65/40 | female thread

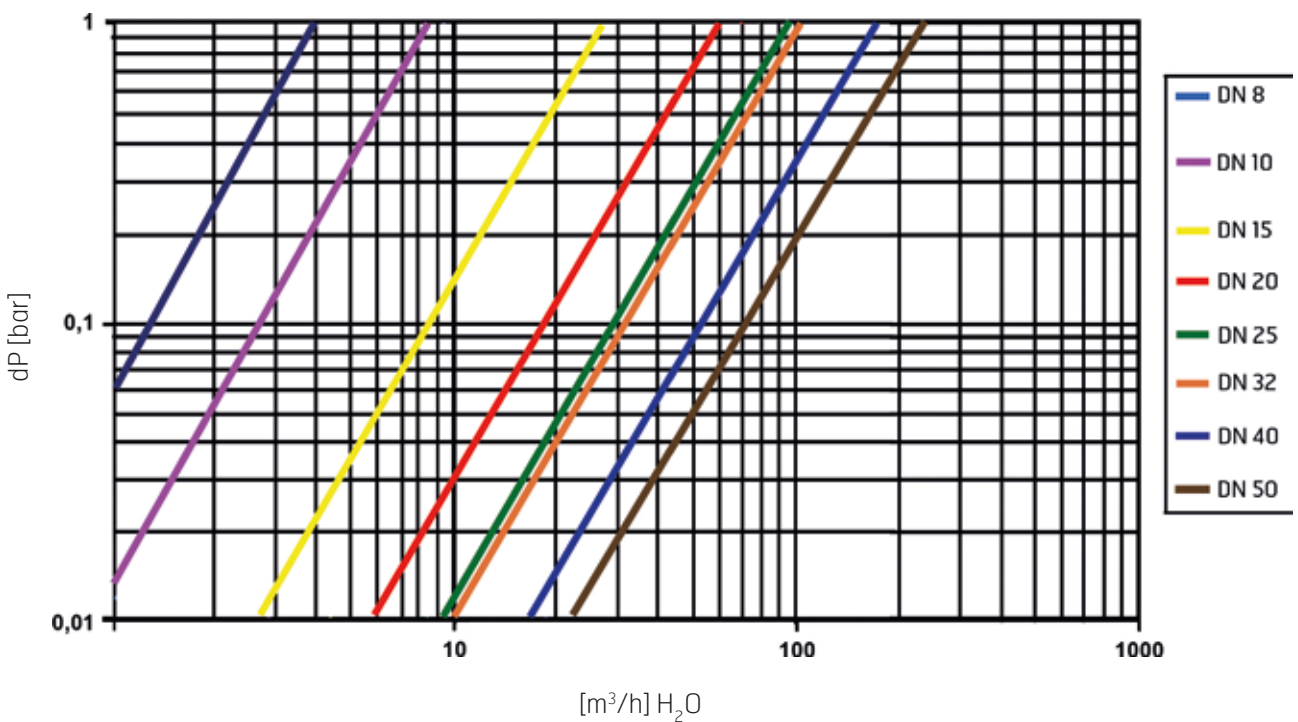


Pressure/Temperature Diagram

— DN 10-15 — DN 20-50



Pressure Drop Diagram



The technical design of the specified product here may be subject to change without notice — datasheet updated October 3, 2016

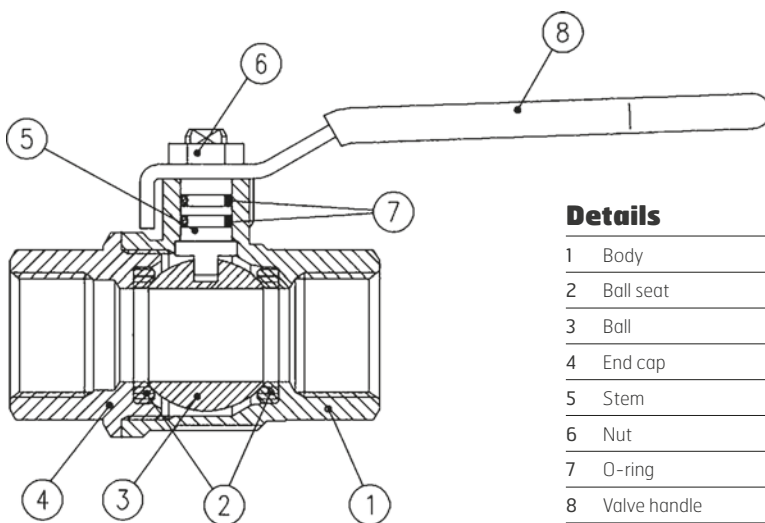
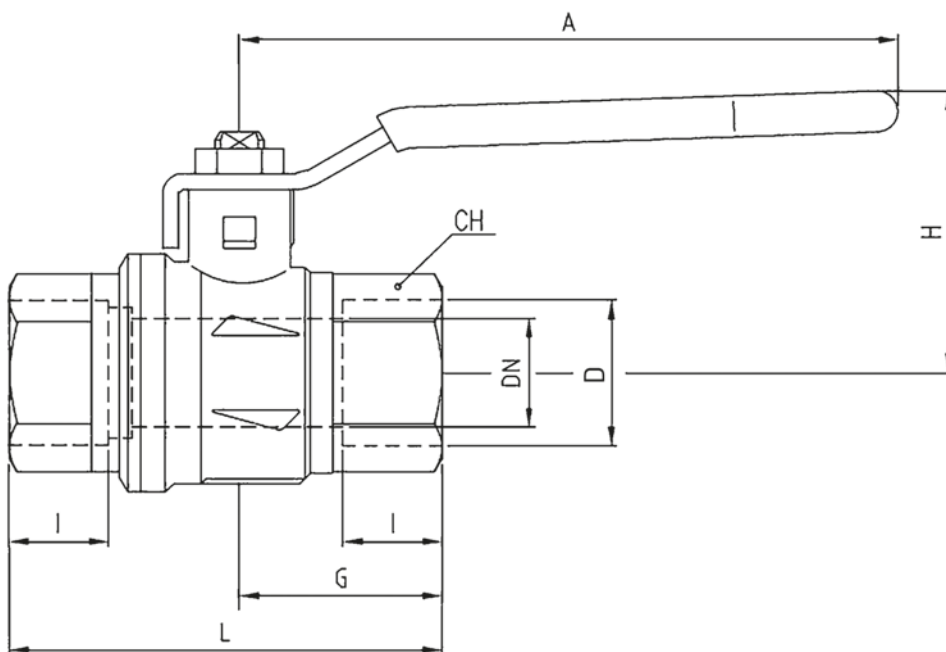
Ball Valve VM4300

nickel plated brass | DN 10-50 | PN 65/40 | female thread



Dimensions [mm] and Weight

Dimension DN	10	15	20	25	32	40	50
D [inches]	3/8"	1/2"	3/4"	1"	1 1/4"	1 1/2"	2"
L	60	75	80	90	110	120	140
I	12,5	15,5	18	21	23	24,5	26,5
G	25,5	30,5	37	45,5	52	59	67,5
A	82	100	120	120	158	158	158
H	40	43	51,5	55,5	75	81	88,5
CH	22	27	32	41	50	55	70
Weight [kg]	0,22	0,27	0,45	0,73	1,24	1,7	3,0



Details

- 1 Body
- 2 Ball seat
- 3 Ball
- 4 End cap
- 5 Stem
- 6 Nut
- 7 O-ring
- 8 Valve handle

The technical design of the specified product here may be subject to change without notice — datasheet updated October 3, 2016

Ball Valve VM4300

nickel plated brass | DN 10-50 | PN 65/40 | female thread



Markings

The valve is marked with DN, PN, producer, and material.

Mounting

Optional.

Maintenance

The valve is maintenance free. It is recommended that the valve is exercised regularly for best function.

Order Information

Ball valve VM4300 in nickel plated brass, DN....., PN....., in female thread design.